

ABOUT THE DEPARTMENT:-

*The Electrical and Electronics Engineering department of **K.Ramakrishnan college of Technology** was established in the year 2010. The young and energetic team of faculties and the dynamism shared by the students of the department have helped in lifting our pride and honor as best among the college. The department is providing a four year full time Under Graduate course of Bachelor of Engineering in Electrical and Electronics Engineering and a two year full time Post Graduate course of Master of Engineering in Power Electronics and Drives.*



The well talented faculties specialized in Power Electronics and Drives, Power systems and Applied Electronics are available with us to equip the blooming minds of young engineers. The department has a total of six well developed laboratories such as Electrical Machines Lab, Power Electronics & Drives Lab, Electrical Circuits Lab, Control Systems Lab, Measurements and Instrumentation Lab and Power System Simulation Lab. With the enthusiasm and smartness exhibit by the department and the hearty support given by the management, the days are not so far to reach our vision of being the pioneer in the global arena.

MISSION:-

“To augment the learners knowledge with innovation in Electrical and Electronics phase by updating human mind with cutting edge technologies, thereby strengthening their core interest to accomplish success.”

VISION:-

“To be the pioneer in the global arena in equipping learners with the best available resources in Electrical and Electronics vicinity, thereby guaranteeing 100% result and Placement by convincing all the industrial needs for an excellent candidature.”

“ELEKTRA TIMES”:-

Our Department Association “ELEKTRA” has started its monthly Newsletter “ELEKTRA TIMES” in the month of August 2013 and it paves way for the students to publish their innovative ideas, creative artworks and thoughts in it. We feel immense pleasure in releasing the 5th issue of this newsletter through this magazine.

WORDS OF DIGNITARIES....!

HOD'S DESK:-



Mr.A.NAZAR ALI, M.E.,(Ph.D)

HOD/EEE

I feel immense pleasure in welcoming you all to the second issue of “ELEKTRA TIMES” Newsletter in an excellent & improved form. I am very grateful to the Management, Executive Director & Principal for their continuous support in encouraging our students through this newsletter. Also I extend my hearty thanks to our department faculties and student volunteers for their hard work in releasing this newsletter in time.

This newsletter focuses on publishing the Innovative Ideas & skills of our student's ability and to honor the achievers of our department. The main goal is to motivate every student to come up with innovative ideas & other talents they possess. I congratulate my team of students for their creativity in designing this magazine to the expected standards.

My best wishes to all our students who come out with their colorful ideas to join with us through this newsletter.

CHIEF EDITOR'S NOTE:-



A.T.SANKARA SUBRAMANIAN, M.E

A.HOD /EEE

This is yet another accomplishment as a teamwork. Yes..!!! We are really delighted in releasing our third Newsletter in this month of Independence. We thank our HOD for his constant support and help to bring out this newly renovated “ELEKTRA TIMES” Newsletter. Creative thinkers and artists have decorated this ELEKTRA TIMES into an interesting newsletter.

We thank our Staff members who dedicatedly worked along with us and remain as a backbone for this ELEKTRA TIMES. It's our privilege to honor our ELEKTRA members and students who actively involved in publishing this newsletter. If you look at history, innovation doesn't come just from giving people incentives; it comes from creating environments where their ideas can connect. Here we are having such a positive environment.

PILLARS OF OR DEPARTMENT.....!

TEACHING FACULTIES:

1. *Mr.A.Nazar Ali, M.E, (Ph.D), Asst. Prof & Head/ EEE*
2. *Mr.A.T.Sankara Subramanian,M.E, Asst. Prof & Asst. Head / EEE*
3. *Mr.M.D.Udayakumar, M.E, (Ph.D), Asst. Prof &Asst. Head/ EEE*
4. *Mr.S.Kodeeswaran, B.E, (M.E), Lecturer / EEE*
5. *Mr.R.Ram Kumar, M.E,(Ph.D), Asst. Prof / EEE*
6. *Mr.A.AntonAmala Praveen, M.E, Asst. Prof / EEE*
7. *Mr.A.ArunVikram, M.E, (Ph.D), Asst. Prof / EEE*
8. *Mr.T.Ram Kumar, B.E, (M.E), Lecturer / EEE*
9. *Mrs.C.Kalavalli, M.E, Asst. Prof / EEE*
10. *Mr.B.Karthikeyan, M.E, (Ph.D), Asst. Prof / EEE*
11. *Mr.S.Arun Kumar, M.E, Asst. Prof / EEE*
12. *Mr.L.Nagarajan, M.E, (Ph.D), Asst. Prof / EEE*
13. *Mr.P.Sabarish, M.E, Asst. Prof / EEE*
14. *Ms.R.Lilly renuka, M.E, Asst. Prof/ EEE*
15. *Ms.N.Gowri, M.E, Asst. Prof/EEE*
16. *Mr.R.Jai Ganesh M.E, Asst. Prof/EEE*
17. *Mr.J.Muru Gesan M.E, Asst. Prof/EEE*
18. *Mr.T.Vishnu Kumar M.E, Asst. Prof/EEE*
19. *Mr.S.Arunraj M.E, Asst. Prof/EEE*
20. *Mr.V.Sureshkumar M.E, Asst. Prof/EEE*

NON – TEACHING FACULTIES:

1. *Mrs.K.Bhaghya Lakshmi, D.EEE, B.Com, Lab Tech / EEE*
2. *Ms.B.Divya, D.ECE, Lab Tech / EEE*
3. *Mr.R.Arya Rajan, D.EEE, Lab Tech / EEE*
4. *Mr.Aliyar D.EEE, Lab Tech / EEE*
5. *Mr.P.Govindaraj Attender*

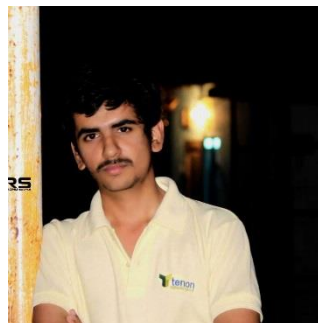
ELEKTRA ASSOCIATION MEMBERS....!

PRESIDENT



PURUSHOTHAMAN.A

VICE PRESIDENT



BHARATH.N

SECRETARY



SELVA RAJESHWARI.R

TREASURER



G.GEETHANJALI

OFFICE BEARERS



M. ISMAIL



K. SUSMITHA



T. UMA NANDHINI



G.HITESH



R. NAVANEETH



M. EZHILMATHI



X. ADAMS



N.RAMYA.



M.PAVITHARA



A. AROKIA CHRISTU RAJA



G. UMA SHANKAR



M. RUBIYA BEGAM

DESIGN HEAD: T. SAMUEL CALEB

EDITORIAL HEAD: K. SATHISH



COMPEERING TEAM:

1. *S.JOSHINI RACHEL (II YEAR)*
2. *ARKO BISWAAS (II YEAR)*
3. *R.SOORIYA PRIYADHARSHINI (III YEAR)*
4. *G.WINSTON (III YEAR)*
5. *N.VARTHINI (IV YEAR)*
6. *G.AKTHAR SHEHANAZ (IV YEAR)*

EEE CHOIR TEAM:

1. *M.BINUJA ANGELIN (III YEAR)*
2. *S.ATHIRSTA LAKSHMI(III YEAR)*
3. *N.PAVITHRA (IV YEAR)*

RECEPTION TEAM:

1. *M. SOWMIYA(IV YEAR)*
2. *R.BHUVANESHWARI(IV YEAR)*
3. *S.JAYANTHI(II YEAR)*
4. *S.NANDHINI(II YEAR)*

GLITTERING STARS OF OUR DEPARTMENT....!

II YEAR 'A' SECTION (3rd Semester)



Ezhilmathi M (9.25)



Indhupriya.P (8.96)



Bharathipriya (8.58)

II YEAR 'A' SECTION (4th Semester)



Ezhilmathi M (9.25)



Jancy Aishwarya A (896)



Bhaskar L (8.58)

II YEAR 'B' SECTION (3rd Semester)



Sowndarya S (9.08)



Sneha R (8.92)



Nandhitha T (8.5)

II YEAR 'B' SECTION (4th Semester)



Sowndarya S (9.08)

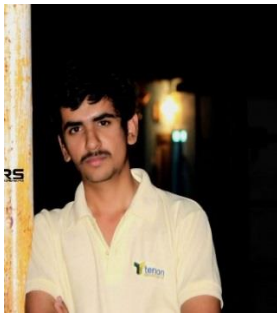


Sneha R (8.92)



Sooriya Priya Dharshini R (8.5)

III YEAR 'A' SECTION (5th Semester)



Bharathi.N.B (9)



Geethanjali. G (8.91)



Bhuvaneshwari.R (8.79)

III YEAR 'A' SECTION (6th Semester)



Geethanjali. G (9.21)



Bhuvaneshwari R (9.04)



Kirubha R (8.7)

III YEAR 'B' SECTION (5th Semester)



Susmitha.K (8.81)



Nivetha. R (8.62)



Sowmiya. M (8.83)

III YEAR 'B' SECTION (6th Semester)



Narmadha. B (9.08)



Nivetha. R (8.83)



Sushmitha. K (8.83)

IV YEAR 'A' SECTION (7th Semester)



Aarathi S (8.29)



Sujitha C (8.19)



Shagana M (8.14)

IV YEAR 'A' SECTION (8th Semester)



Kalaipriya R (9.4)



Parkavi E (9)



Kanishka S (8.8)

IV YEAR 'B' SECTION (7th Semester)



Priyadharshini K.S (8.6)



Priyanka.R (8.4)



Sumithra B (8.3)

IV YEAR 'B' SECTION (8th Semester)



Yashwanth P (9.2)



Shagana M (9.2)



Sakthi Sudha K (9)

BEST OUTGOING STUDENT OF THE DEPARTMENT (2013 – 2017BATCH)



P.M.MANJHUSHAH

Aggregate percentage : 8.14

Achievements :

- Secured third position in M.kumarasamy trophy (State level tournament)volley ball match.
- Earned first place in district level judo tournament held at Anna stadium.
- Consecutive class topper for II , III ,and IV Semester
- Team captain of college volleyball team
- Treasurer in Department Association ELEKTRA
- Participated in Green mini marathon in 2015

Certifications:

- Having the official letter for the IAENG Membership
- Certification of IT Olympiad 2016
- International Journal on Modeling and control of Quasi Z- Source PV Grid
- Global Art India's Art Competition
- Human Rise Service Trest

ASSOCIATION ACTIVITIES (2016 – 2017)...!

Inauguration:

ELEKTRA Association Inaugurated last year on 06.08.2016.

National Level Technical Symposium:

Association ELEKTRA conducted its Symposium on 9.9.2016 & the Chief guest was Dr.S.Moorthy from NIT, Trichy.

National Conference:

Association ELEKTRA conducted its Conference on 28.12.2016 & the Chief guest was Dr.S.Albert Alexander from Kongu Engineering College, Erode.

Guest Lectures:

- Dr.P. Raja – Dept of EEE, NIT, Trichy for “Power Electronics” on 24.08.2016
- Dr.S.Moorthi - Dept of EEE, NIT, Trichy for “Digital Logic Circuits” on 10.09.2016
- Dr.P. Raja – Dept of EEE, NIT, Trichy for “Power System Protection and Switchgears” on 10.09.2016
- Dr.S.Moorthi – Dept of EEE, NIT, Trichy for “Digital Logic Circuits” on 14.09.2016
- Dr.P. Raja – Dept of EEE, NIT, Trichy for “Power EElectronics” on 14.09.2016
- Dr.M.P.Selvan – Dept of EEE, NIT, Trichy for “Flexible AC Transmission System” on 14.09.2016
- Dr.P.Raja – Dept of EEE, NIT, Trichy for “Electrical Machine I” on 11.02.2017
- Dr.P.Raja – Dept of EEE,NIT, Trichy for “Solid state drives” on 25.02.2017

Workshops:

- One day workshop was organized by “Hitakey” on “Arduino Application and Robotics “ for our III year Students.
- Tow day workshop was organized by “Lift Technologies” on “Innovative Electronics “ for our II year Students.

Value Added Courses:

- Our Department has organized value added course on “PCB Design” in the month of December 2016. Nearly 50 students from various years had been benefited from the course.

Industrial Visits:

- Our III year students visited Wonerlla Power Plant –kochin and JVS – Bangalore on 21.07.2016 and 23.07.2017 respectively.
- Our II year students visited Wonerlla Power Plant –kochin and JVS – Bangalore on 15.07.2016 and 16.07.2017 respectively.

ACHIEVERS OF ELEKTRA.....!

UNDER GRADUATE:- 2015 – 2019 BATCH

S.N O	NAME	YEAR/ DEPT	NAME OF THE INSTITUTION	EVENT NAME	ATTEN DED DATE	POSITION WON/ PARTICIPATION
1	M.EZHILMATHI	II/EEE	M.KUMARASAMY COLLEGE OF ENGINEERING	WORKSHOP	17.03.2017 - 18.03.2017	Participation
2	S.BHAVATHARANI	II/EEE	M.KUMARASAMY COLLEGE OF ENGINEERING	WORKSHOP	17.03.2017 - 18.03.2017	Participation
3	R.HAMSA	II/EEE	M.KUMARASAMY COLLEGE OF ENGINEERING	WORKSHOP	17.03.2017 - 18.03.2017	Participation
4	B.KIRUTHIKA	II/EEE	M.KUMARASAMY COLLEGE OF ENGINEERING	WORKSHOP	17.03.2017 - 18.03.2017	Participation
5	P.INDHU PRIYA	II/EEE	M.KUMARASAMY COLLEGE OF ENGINEERING	WORKSHOP	17.03.2017 - 18.03.2017	Participation
6	P.PARKAVAN	II/EEE	SARANATHAN COLLEGE OF ENGINEERING	WORKSHOP	25.02.2017	Participation

7	S.NAVEEN	II/EEE	SARANATHAN COLLEGE OF ENGINEERING	WORKSHOP	25.02.2017	Participation
8	S.P.SUDHARSHAN	II/EEE	SARANATHAN COLLEGE OF ENGINEERING	WORKSHOP	25.02.2017	Participation
9	S.LANKESH	II/EEE	GNANAMANI COLLEGE OF TECHNOLOGY	WORKSHOP	25.02.2017	Participation
10	S.HARI KRISHNAN	II/EEE	GNANAMANI COLLEGE OF TECHNOLOGY	WORKSHOP	25.02.2017	Participation
11	P.BALACHANDAR	II/EEE	GNANAMANI COLLEGE OF TECHNOLOGY	WORKSHOP	25.02.2017	Participation
12	A.AHAMED ALI	II/EEE	GNANAMANI COLLEGE OF TECHNOLOGY	WORKSHOP	25.02.2017	Participation
13	A.ABDUL WASHIM	II/EEE	GNANAMANI COLLEGE OF TECHNOLOGY	WORKSHOP	25.02.2017	Participation
14	S.MANIMEGALAI	II/EEE	KINGS COLLEGE OF ENGINEERING	WORKSHOP	25.02.2017	Participation
15	M.ANITHA	II/EEE	KINGS COLLEGE OF ENGINEERING	WORKSHOP	25.02.2017	Participation
16	S.ATHIRHTA LAKSHMI	II/EEE	KINGS COLLEGE OF ENGINEERING	WORKSHOP	25.02.2017	Participation
17	R.KOMALA	II/EEE	KINGS COLLEGE OF ENGINEERING	WORKSHOP	25.02.2017	Participation
18	R.S.NIVETHA PRIYAI	II/EEE	SASTRA UNIVERSITY	WORKSHOP	24.02.2017 - 25.02.2017	Participation
19	L.BHASKAR	II/EEE	THIAGARAJAR COLLEGE OF ENGINEERING	WORKSHOP	22.02.2017 - 23.02.2017	Participation
20	T.GOKULA KRISHNAN	II/EEE	TCE	WORKSHOP	22.02.2017 - 23.02.2017	Participation

21	S.JOSHUA SMITH	II/EEE	THIAGARAJAR COLLEGE OF ENGINEERING	WORKSHOP	22.02.2017 - 23.02.2017	Participation
22	T.GOKULA KRISHNAN	II/EEE	MADRAS INSTITUTE OF TECHNOLOGY	WORKSHOP	17.02.2017 - 19.02.2017	Participation
24	S.JOSHUA SMITH	II/EEE	MADRAS INSTITUTE OF TECHNOLOGY	WORKSHOP	17.02.2017 - 19.02.2017	Participation
25	V.VIVEKDEV	II/EEE	MADRAS INSTITUTE OF TECHNOLOGY	WORKSHOP	17.02.2017 - 19.02.2017	Participation
26	S.HARI KRISHNAN	II/EEE	MADRAS INSTITUTE OF TECHNOLOGY	WORKSHOP	17.02.2017 - 19.02.2017	Participation
27	A.ABDUL WASHIM	II/EEE	MADRAS INSTITUTE OF TECHNOLOGY	WORKSHOP	17.02.2017 - 19.02.2017	Participation
28	S.SOWNDARYA	II/EEE	NATIONAL INSTITUTE OF TECHNOLOGY TRICHY	WORKSHOP	16.02.2017 - 19.02.2017	Participation
29	G.VIJAYALAKSHMI	II/EEE	NATIONAL INSTITUTE OF TECHNOLOGY TRICHY	WORKSHOP	16.02.2017 - 19.02.2017	Participation
30	SOORIYA PRIYA DHARSINI	II/EEE	NATIONAL INSTITUTE OF TECHNOLOGY TRICHY	WORKSHOP	16.02.2017 - 19.02.2017	Participation
31	M.RAMANACHIAPP AN	II/EEE	NATIONAL INSTITUTE OF TECHNOLOGY TRICHY	WORKSHOP	16.02.2017 - 19.02.2017	Participation
32	D.RAAHAVAN	II/EEE	NATIONAL INSTITUTE OF TECHNOLOGY TRICHY	WORKSHOP	16.02.2017 - 19.02.2017	Participation
32	R.NAVANEETH	II/EEE	NIT TRICHY	WORKSHOP	16.02.2017 - 19.02.2017	Participation

33	R.VINOTH	II/EEE	NATIONAL INSTITUTE OF TECHNOLOGY TRICHY	WORKSHOP	16.02.2017 - 19.02.2017	Participation
34	NARESH KUMAR	II/EEE	NATIONAL INSTITUTE OF TECHNOLOGY TRICHY	WORKSHOP	16.02.2017 - 19.02.2017	Participation
35	S.ABDUL RAHIMAN	II/EEE	M.A.M COLLEGE OF ENGINEERING	INTERNATIONAL CONFERENCE	05.04.2017	Participation
36	D.RAGAVAN	II/EEE	M.A.M COLLEGE OF ENGINEERING	INTERNATIONAL CONFERENCE	05.04.2017	Participation
37	R.J.PRUSOTH	II/EEE	M.A.M COLLEGE OF ENGINEERING	INTERNATIONAL CONFERENCE	05.04.2017	Participation
38	J.VIJAYALAKSHMI	II/EEE	KONGUNADU COLLEGE OF ENGG & TECHNOLOGY	INTERNATIONAL CONFERENCE	24.03.2017 - 25.03.2017	Participation
39	M.RAMALAKSHMI	II/EEE	KONGUNADU COLLEGE OF ENGG & TECHNOLOGY	INTERNATIONAL CONFERENCE	24.03.2017 - 25.03.2017	Participation

UNDER GRADUATE:- 2014 – 2018 BATCH

<i>S. N O</i>	<i>NAME</i>	<i>YEAR/D EPT</i>	<i>NAME OF THE INSTITUTION</i>	<i>EVENT NAME</i>	<i>ATTEN DED DATE</i>	<i>POSITION WON/ PARTICIPATION</i>
1	S.MONICA	III/EEE	VETRI VINAYAHA COLLEGE OF ENGG & TECH	INTERNATIONAL CONFERENCE	25.03.2017	Participation
2	R.NIVETHA	III/EEE	SELVAM COLLEGE OF TECHNOLOGY	INTERNATIONAL CONFERENCE	17.03.2017	Participation
3	M.SINDUJA	III/EEE	SELVAM COLLEGE OF TECHNOLOGY	INTERNATIONAL CONFERENCE	17.03.2017	Participation

4	S.SURESH	III/EEE	M.KUMARASAMY COLLEGE OF ENGINEERING	WORKSHOP	26-08-16 27-08-16	Participation
5	R.J.DHEEPAK	III/EEE	VELLORE INSTITUTE OF TECHNOLOGY	WORKSHOP	25.03.2017	Participation
6	R.G.HITESH GURU	III/EEE	VELLORE INSTITUTE OF TECHNOLOGY	WORKSHOP	25.03.2017	Participation
7	E.KIRAN KUMAR	III/EEE	NATIONAL ENGINEERING COLLGE	WORKSHOP	06.03.2017 - 07.03.2017	Participation
8	S.ARUN	III/EEE	NATIONAL ENGINEERING COLLGE	WORKSHOP	06.03.2017 - 07.03.2017	Participation
9	M.BALAJI	III/EEE	NATIONAL ENGINEERING COLLGE	WORKSHOP	06.03.2017 - 07.03.2017	Participation
10	G.KIRUTHIKA	III/EEE	KLN COLLGEG OF INFORMATION TECHNOLOGY	WORKSHOP	27.02.2017 - 28.02.2017	Participation
11	G.AKTHAR SHEHANAZ	III/EEE	KLN COLLGEG OF INFORMATION TECHNOLOGY	WORKSHOP	27.02.2017 - 28.02.2017	Participation
12	T.GEETHANCH ALI	III/EEE	KLN COLLGEG OF INFORMATION TECHNOLOGY	WORKSHOP	27.02.2017 - 28.02.2017	Participation
13	S.SHARMILA	III/EEE	KLN COLLGEG OF INFORMATION TECHNOLOGY	WORKSHOP	27.02.2017 - 28.02.2017	Participation
14	S.MONICA	III/EEE	KLN COLLGEG OF INFORMATION TECHNOLOGY	WORKSHOP	27.02.2017 - 28.02.2017	Participation
15	P.VINOTHA	III/EEE	KLN COLLGEG OF INFORMATION TECHNOLOGY	WORKSHOP	27.02.2017 - 28.02.2017	Participation
16	M.SOWMIYA	III/EEE	KLN COLLGEG OF INFORMATION TECHNOLOGY	WORKSHOP	27.02.2017 - 28.02.2017	Participation

17	R.SANTHIYA LAKSHMI	III/EEE	KLN COLLEGE OF INFORMATION TECHNOLOGY	WORKSHOP	27.02.2017 - 28.02.2017	Participation
18	N.VARTHINI	III/EEE	KLN COLLEGE OF INFORMATION TECHNOLOGY	WORKSHOP	27.02.2017 - 28.02.2017	Participation
19	L.NAVEENA	III/EEE	KLN COLLEGE OF INFORMATION TECHNOLOGY	WORKSHOP	27.02.2017 - 28.02.2017	Participation
20	S.SARUMATHI	III/EEE	KLN COLLEGE OF INFORMATION TECHNOLOGY	WORKSHOP	27.02.2017 - 28.02.2017	Participation
21	P.MANIKANDA N	III/EEE	SARANATHAN COLLEGE OF ENGINEERING	WORKSHOP	25.02.2017	Participation
22	E.MITHUN	III/EEE	SARANATHAN COLLEGE OF ENGINEERING	WORKSHOP	25.02.2017	Participation
23	P.JAYARAM	III/EEE	SARANATHAN COLLEGE OF ENGINEERING	WORKSHOP	25.02.2017	Participation
24	S.MANIKANDA N	III/EEE	SARANATHAN COLLEGE OF ENGINEERING	WORKSHOP	25.02.2017	Participation
25	K.PARAMESHW ARAN	III/EEE	NATIONAL INSTITUTE OF TECHNOLOGY, PUDUCHERRY	WORKSHOP	24.02.2017 - 26.02.2017	Participation
26	G.SAKTHIDASA N	III/EEE	NATIONAL INSTITUTE OF TECHNOLOGY, PUDUCHERRY	WORKSHOP	24.02.2017 - 26.02.2017	Participation
27	D.PRAKASH	III/EEE	NATIONAL INSTITUTE OF TECHNOLOGY, PUDUCHERRY	WORKSHOP	24.02.2017 - 26.02.2017	Participation
28	J.RAMNATH SHANKALI	III/EEE	NATIONAL INSTITUTE OF TECHNOLOGY, PUDUCHERRY	WORKSHOP	24.02.2017 - 26.02.2017	Participation
29	D.SATHISH KUMAR	III/EEE	NATIONAL INSTITUTE OF	WORKSHOP	24.02.2017 - 26.02.2017	Participation

			TECHNOLOGY, PUDUCHERRY			
30	D.MUKILAN	III/EEE	NATIONAL INSTITUTE OF TECHNOLOGY, PUDUCHERRY	WORKSHOP	24.02.2017 - 26.02.2017	Participation
31	S.MURUGAPPA N	III/EEE	SASTRA UNIVERSITY	WORKSHOP	24.02.2017 - 25.02.2017	Participation
32	A.PURUSHOTH AMAN	III/EEE	SASTRA UNIVERSITY	WORKSHOP	24.02.2017 - 25.02.2017	Participation
33	K.RAGAVENTH IRAN	III/EEE	SASTRA UNIVERSITY	WORKSHOP	24.02.2017 - 25.02.2017	Participation
34	T.SAMUEL CALEB	III/EEE	SASTRA UNIVERSITY	WORKSHOP	24.02.2017 - 25.02.2017	Participation
35	T.SURYA	III/EEE	SASTRA UNIVERSITY	WORKSHOP	24.02.2017 - 25.02.2017	Participation
36	K.SATHISHWA RAN	III/EEE	SASTRA UNIVERSITY	WORKSHOP	24.02.2017 - 25.02.2017	Participation
37	S.SANTHOSH	III/EEE	SASTRA UNIVERSITY	WORKSHOP	24.02.2017 - 25.02.2017	Participation
38	S.SURESH	III/EEE	SASTRA UNIVERSITY	WORKSHOP	24.02.2017 - 25.02.2017	Participation
39	A.SARAVANAN	III/EEE	SASTRA UNIVERSITY	WORKSHOP	24.02.2017 - 25.02.2017	Participation
40	G.GEETHANJAL I	III/EEE	K.RAMAKRISHNA N COLLGE OF TECHNOLOGY	WORKSHOP	19.09.2017	Participation
41	A.PURUSHOTH AMAN	III/EEE	K.RAMAKRISHNA N COLLGE OF TECHNOLOGY	WORKSHOP	19.09.2017	Participation
42	K.SUSMITHA	III/EEE	K.RAMAKRISHNA N COLLGE OF TECHNOLOGY	WORKSHOP	19.09.2017	Participation
43	K.GOPI	III/EEE	NATIONAL ENGINEERING COLLEGE	SYMPOSIUM	06.03.2017 - 07.03.2017	Participation

44	S.GOPALAKRISHNAN	III/EEE	NATIONAL ENGINEERING COLLEGE	SYMPOSIUM	06.03.2017 - 07.03.2017	Participation
45	M.GOPINATH	III/EEE	NATIONAL ENGINEERING COLLEGE	SYMPOSIUM	06.03.2017 - 07.03.2017	Participation
46	L.DINESH	III/EEE	NATIONAL ENGINEERING COLLEGE	SYMPOSIUM	06.03.2017 - 07.03.2017	Participation
47	K.G.GOPINATH PANDIAN	III/EEE	NATIONAL ENGINEERING COLLEGE	SYMPOSIUM	06.03.2017 - 07.03.2017	Participation
48	V.B.KARTHIK	III/EEE	K.S.RANGASAMY COLLEGE OF TECHNOLOGY	SYMPOSIUM	03.03.2017	Participation
49	K.KIRUBASAN KAR	III/EEE	K.S.RANGASAMY COLLEGE OF TECHNOLOGY	SYMPOSIUM	03.03.2017	Participation
50	A.SARAVANAN	III/EEE	K.S.RANGASAMY COLLEGE OF TECHNOLOGY	SYMPOSIUM	03.03.2017	Participation
51	A.PURUSHOTHAMAN	III/EEE	K.S.RANGASAMY COLLEGE OF TECHNOLOGY	SYMPOSIUM	03.03.2017	Participation
52	J.RAMNATH SANKALP	III/EEE	K.S.RANGASAMY COLLEGE OF TECHNOLOGY	SYMPOSIUM	03.03.2017	Participation
53	K.RAGAVENDHIRAN	III/EEE	K.S.RANGASAMY COLLEGE OF TECHNOLOGY	SYMPOSIUM	03.03.2017	Participation
54	M.SHAHUL HAMEED	III/EEE	K.S.RANGASAMY COLLEGE OF TECHNOLOGY	SYMPOSIUM	03.03.2017	Participation
55	K.SATHISHWARAN	III/EEE	K.S.RANGASAMY COLLEGE OF TECHNOLOGY	SYMPOSIUM	03.03.2017	Participation
56	M.SURYAA	III/EEE	KARPAGAM UNIVERSITY	SYMPOSIUM	02.03.2017	Participation
57	S.SURESHKUMAR	III/EEE	KARPAGAM UNIVERSITY	SYMPOSIUM	02.03.2017	Participation
58	B.RAJBABU	III/EEE	KARPAGAM UNIVERSITY	SYMPOSIUM	02.03.2017	Participation

59	M.SURYAA	III/EEE	K.S.RANGASAMY COLLEGE OF TECHNOLOGY	SYMPOSIUM	01.03.2017	Participation
60	S.SURESHKUM AR	III/EEE	K.S.RANGASAMY COLLEGE OF TECHNOLOGY	SYMPOSIUM	01.03.2017	Participation
61	M.SURYAA	III/EEE	KONGU ENGINEERING COLLEGE	SYMPOSIUM	01.03.2017	Participation
62	SGOPALAKRIS HNAN	III/EEE	M.I.E.T ENGINEERING COLLEGE	SYMPOSIUM	23.02.2017	Participation
63	R.J.DHEEPAK	III/EEE	M.I.E.T ENGINEERING COLLEGE	SYMPOSIUM	23.02.2017	Participation
64	R.PRIYANKAR	III/EEE	M.I.E.T ENGINEERING COLLEGE	SYMPOSIUM	23.02.2017	Participation
65	B.RAJBABU	III/EEE	M.I.E.T ENGINEERING COLLEGE	SYMPOSIUM	23.02.2017	Participation
66	S.SURESHKUM AR	III/EEE	M.I.E.T ENGINEERING COLLEGE	SYMPOSIUM	23.02.2017	Participation

UNDER GRADUATE:- 2013 – 2017 BATCH

S.N O	NAME	YEAR/D EPT	NAME OF THE INSTITUTION	EVENT NAME	ATTE N DED DATE	POSITI ON WON/ PARTICI PA TION
1	C.S. AMIRTHALAKSH MI	IV/EEE	M.KUMARASAM Y COLLEGE OF ENGINEERING	WORKSHO P	26-08-16 27-08-16	Participation
2	PRADEEPA K	IV/EEE	GNANAMANI COLLEGE OF TECHNOLOGY	WORKSHO P	20-08-16	Participation
3	R.KALAI PRIYA	IV/EEE	GNANAMANI COLLEGE	WORKSHO P	20-08-16	Participation
4	T.KAMARAJ	IV/EEE	AU BIT CAMPUS	SYMPOSIU M	23-03-16 24-03-16	Participation

5	N.GOKUL	IV/EEE	ERODE BUILDER GROUP OF INSTITUTIONS	SYMPOSIUM	03-12-2016	Participation
6	N.GOKUL	IV/EEE	CHENDHURAN COLLEGE OF ENGINEERING	SYMPOSIUM	03-11-2016	Participation
7	A.ANCY	IV/EEE	JAYALAKSHMI INSTITUTE OF TECHNOLOGY	SYMPOSIUM	27/02/2016	FIRST
8	J.PADMANABAN	IV/EEE	JAYALAKSHMI INSTITUTE OF TECHNOLOGY	SYMPOSIUM	27/02/2016	Participation
9	V.RANJITH KUMAR	IV/EEE	JAYALAKSHMI INSTITUTE OF TECHNOLOGY	SYMPOSIUM	27/02/2016	Participation
10	K.SUBRAMANIAN	IV/EEE	JAYALAKSHMI INSTITUTE OF TECHNOLOGY	SYMPOSIUM	27/02/2016	Participation
11	V.DHARANI	IV/EEE	JAYALAKSHMI INSTITUTE OF TECHNOLOGY	SYMPOSIUM	27/02/2016	Participation
12	MONIKA KUMARI	IV/EEE	JAYALAKSHMI INSTITUTE OF TECHNOLOGY	SYMPOSIUM	27/02/2016	Participation
13	K.AARTHI	IV/EEE	JAYALAKSHMI INSTITUTE OF TECHNOLOGY	SYMPOSIUM	27/02/2016	Participation
14	K.VANITHA	IV/EEE	JAYALAKSHMI INSTITUTE OF TECHNOLOGY	SYMPOSIUM	27/02/2016	Participation
15	M.MANIKANDAN	IV/EEE	JAYALAKSHMI INSTITUTE OF TECHNOLOGY	SYMPOSIUM	27/02/2016	Participation
16	K.SUBRAMANIAN	IV/EEE	K.S..RANGASAMY COLLEGE OF TECHNOLOGY	SYMPOSIUM	26/02/2016	Participation
17	S.SUDHAKAR	IV/EEE	K.S..RANGASAMY COLLEGE OF TECHNOLOGY	SYMPOSIUM	26/02/2016	Participation
18	J.AKILAN	IV/EEE	M.A.M COLLEGE OF ENGINEERING	CONFERENCE	26/02/2016	Participation
19	V.SHANKAR	IV/EEE	M.A.M COLLEGE OF ENGINEERING	CONFERENCE	26/02/2016	Participation
20	P.YASWANTH	IV/EEE	M.A.M COLLEGE OF ENGINEERING	CONFERENCE	26/02/2016	Participation

21	S.L.CIBI	IV/EEE	M.A.M COLLEGE OF ENGINEERING	CONFERE NCE	26/02/201 6	Participation
22	P.AJITH	IV/EEE	TRP ENGINEERING COLLEGE	CONFERE NCE	31.03.201 7- 02.04.201 7	Participation
23	S.P.SUBRAMAN	IV/EEE	TRP ENGINEERING COLLEGE	CONFERE NCE	31.03.201 7- 02.04.201 7	Participation
24	A.JAYAVEL	IV/EEE	TRP ENGINEERING COLLEGE	CONFERE NCE	31.03.201 7- 02.04.201 7	Participation
25	R.RAVI SANKAR	IV/EEE	TRP ENGINEERING COLLEGE	CONFERE NCE	31.03.201 7- 02.04.201 7	Participation
26	S.VENKATESAN	IV/EEE	TRP ENGINEERING COLLEGE	CONFERE NCE	31.03.201 7- 02.04.201 7	Participation
27	R.RAVIKUMAR	IV/EEE	TRP ENGINEERING COLLEGE	CONFERE NCE	31.03.201 7- 02.04.201 7	Participation
28	S.VENKATESAN	IV/EEE	TRP ENGINEERING COLLEGE	CONFERE NCE	31.03.201 7- 02.04.201 7	Participation
29	R.RAVIKUMAR	IV/EEE	TRP ENGINEERING COLLEGE	CONFERE NCE	31.03.201 7- 02.04.201 7	Participation
30	C.SUJITHA	IV/EEE	TRP ENGINEERING COLLEGE	CONFERE NCE	31.03.201 7- 02.04.201 7	Participation
31	K.SAKTHISUDHA	IV/EEE	TRP ENGINEERING COLLEGE	CONFERE NCE	31.03.201 7- 02.04.201 7	Participation
32	B.SUSMITHA	IV/EEE	TRP ENGINEERING COLLEGE	CONFERE NCE	31.03.201 7- 02.04.201 7	Participation

33	J.PREETHI	IV/EEE	TRP ENGINEERING COLLEGE	CONFERE NCE	31.03.201 7- 02.04.201 7	Participation
34	D.SIVARAMAN	IV/EEE	TRP ENGINEERING COLLEGE	CONFERE NCE	31.03.201 7- 02.04.201 7	Participation
35	B.SACHIN	IV/EEE	TRP ENGINEERING COLLEGE	CONFERE NCE	31.03.201 7- 02.04.201 7	Participation
36	N.THIYAGESH RAJ	IV/EEE	TRP ENGINEERING COLLEGE	CONFERE NCE	31.03.201 7- 02.04.201 7	Participation
37	M.ANISH	IV/EEE	TRP ENGINEERING COLLEGE	CONFERE NCE	31.03.201 7- 02.04.201 7	Participation
38	M.BHARAHI RAJA	IV/EEE	TRP ENGINEERING COLLEGE	CONFERE NCE	31.03.201 7- 02.04.201 7	Participation
39	D.PRASANTH	IV/EEE	TRP ENGINEERING COLLEGE	CONFERE NCE	31.03.201 7- 02.04.201 7	Participation
40	R.DHARNARAJ	IV/EEE	TRP ENGINEERING COLLEGE	CONFERE NCE	31.03.201 7- 02.04.201 7	Participation
41	U.PRAKATHESWA RAN	IV/EEE	TRP ENGINEERING COLLEGE	CONFERE NCE	31.03.201 7- 02.04.201 7	Participation
42	N.ELAVARASAN	IV/EEE	TRP ENGINEERING COLLEGE	CONFERE NCE	31.03.201 7- 02.04.201 7	Participation
43	V.DHIVAKARAN	IV/EEE	TRP ENGINEERING COLLEGE	CONFERE NCE	31.03.201 7- 02.04.201 7	Participation
44	S.V.HARIHARAN	IV/EEE	TRP ENGINEERING COLLEGE	CONFERE NCE	31.03.201 7- 02.04.201 7	Participation

45	M.ARAVINDH	IV/EEE	TRP ENGINEERING COLLEGE	CONFERE NCE	31.03.201 7- 02.04.201 7	Participation
46	C.KAMESHWARA N	IV/EEE	TRP ENGINEERING COLLEGE	CONFERE NCE	31.03.201 7- 02.04.201 7	Participation
47	M.SHAGANA	IV/EEE	TRP ENGINEERING COLLEGE	CONFERE NCE	31.03.201 7- 02.04.201 7	Participation
48	C.VEERAMAHA	IV/EEE	TRP ENGINEERING COLLEGE	CONFERE NCE	31.03.201 7- 02.04.201 7	Participation
49	R.VAITHEESWARI	IV/EEE	TRP ENGINEERING COLLEGE	CONFERE NCE	31.03.201 7- 02.04.201 7	Participation
50	A.PRITHIKA	IV/EEE	TRP ENGINEERING COLLEGE	CONFERE NCE	31.03.201 7- 02.04.201 7	Participation
51	B.PRAGADEESH	IV/EEE	TRP ENGINEERING COLLEGE	CONFERE NCE	31.03.201 7- 02.04.201 7	Participation
53	A.SANTHANAMA RY	IV/EEE	TRP ENGINEERING COLLEGE	CONFERE NCE	31.03.201 7- 02.04.201 7	Participation
54	R.SATHYA	IV/EEE	TRP ENGINEERING COLLEGE	CONFERE NCE	31.03.201 7- 02.04.201 7	Participation
55	N.SWATHI	IV/EEE	TRP ENGINEERING COLLEGE	CONFERE NCE	31.03.201 7- 02.04.201 7	Participation
56	V.VIMALA	IV/EEE	TRP ENGINEERING COLLEGE	CONFERE NCE	31.03.201 7- 02.04.201 7	Participation
57	V.RAMAKRISHNA N	IV/EEE	TRP ENGINEERING COLLEGE	CONFERE NCE	31.03.201 7- 02.04.201 7	Participation

58	R.RUBAK	IV/EEE	TRP ENGINEERING COLLEGE	CONFERE NCE	31.03.201 7- 02.04.201 7	Participation
59	P.VASANTHAKUM AR	IV/EEE	TRP ENGINEERING COLLEGE	CONFERE NCE	31.03.201 7- 02.04.201 7	Participation
60	R.RAJESHKUMAR	IV/EEE	TRP ENGINEERING COLLEGE	CONFERE NCE	31.03.201 7- 02.04.201 7	Participation
61	S.SALMANKHAN	IV/EEE	TRP ENGINEERING COLLEGE	CONFERE NCE	31.03.201 7- 02.04.201 7	Participation
62	M.SATHIYARAJ	IV/EEE	TRP ENGINEERING COLLEGE	CONFERE NCE	31.03.201 7- 02.04.201 7	Participation
63	A.SHAHULHAMEE D	IV/EEE	TRP ENGINEERING COLLEGE	CONFERE NCE	31.03.201 7- 02.04.201 7	Participation
64	B.VENKATESH	IV/EEE	TRP ENGINEERING COLLEGE	CONFERE NCE	31.03.201 7- 02.04.201 7	Participation
65	B.SUNDARARAJA N	IV/EEE	TRP ENGINEERING COLLEGE	CONFERE NCE	31.03.201 7- 02.04.201 7	Participation
66	R.VIGNESH	IV/EEE	TRP ENGINEERING COLLEGE	CONFERE NCE	31.03.201 7- 02.04.201 7	Participation
67	G.IRFAN	TRP ENGINEERI NG COLLEGE	CONFERENCE	31.03.2017- 02.04.2017	Participat ion	Participation
68	S.PRAVEEN	IV/EEE	TRP ENGINEERING COLLEGE	CONFERE NCE	31.03.201 7- 02.04.201 7	Participation
69	M.MAHALINGAM	IV/EEE	TRP ENGINEERING COLLEGE	CONFERE NCE	31.03.201 7- 02.04.201 7	Participation

70	K.S.PRIYADHARS HINI	IV/EEE	TRP ENGINEERING COLLEGE	CONFERE NCE	31.03.201 7- 02.04.201 7	Participation
71	S.SATHYA PRIYA	IV/EEE	TRP ENGINEERING COLLEGE	CONFERE NCE	31.03.201 7- 02.04.201 7	Participation
72	V.SUGANYA	IV/EEE	TRP ENGINEERING COLLEGE	CONFERE NCE	31.03.201 7- 02.04.201 7	Participation
73	C.S.AMIRTHALAK SHMI	IV/EEE	Dr.NAGARATHIN AM'S COLLEGE OF ENGINEERING	CONFERE NCE	02.03.201 7- 03.03.201 7	Participation
74	P.M.MANJHUSHA H	IV/EEE	Dr.NAGARATHIN AM'S COLLEGE OF ENGINEERING	CONFERE NCE	02.03.201 7- 03.03.201 7	Participation
75	R.PRADEEPA	IV/EEE	Dr.NAGARATHIN AM'S COLLEGE OF ENGINEERING	CONFERE NCE	02.03.201 7- 03.03.201 7	Participation
76	K.PRADEEPA	IV/EEE	Dr.NAGARATHIN AM'S COLLEGE OF ENGINEERING	CONFERE NCE	02.03.201 7- 03.03.201 7	Participation
77	P.M.MANJHUSHA H	IV/EEE	PSNA COLLEGE OF ENGG & TECH	CONFERE NCE	22.03.201 7	Participation
78	K.PRADEEPA	IV/EEE	PSNA COLLEGE OF ENGG & TECH	CONFERE NCE	22.03.201 7	Participation
79	R.PRADEEPA	IV/EEE	PSNA COLLEGE OF ENGG & TECH	CONFERE NCE	22.03.201 7	Participation
80	C.S.AMIRTHALAK SHMI	IV/EEE	PSNA COLLEGE OF ENGG & TECH	CONFERE NCE	22.03.201 7	Participation

STUDENT'S JOURNAL PUBLICATION:-

	NAME	YEAR/DEPT	NAME OF THE JOURNAL	ISSN	PUBLISHED MONTH & YEAR
1	DHIVYA R	IV/EEE	International Journal of Emerging Technology in Computer science and Electronics	0976-1353, Vol 24, Issue 4	Mar-17
2	MEENA.R	IV/EEE	International Journal of Emerging Technology in Computer science and Electronics	0976-1353, Vol 24, Issue 4	Mar-17
3	POONGUZHALI.R	IV/EEE	International Journal of Emerging Technology in Computer science and Electronics	0976-1353, Vol 24, Issue 4	Mar-17
4	K.BHAGYALAKSHMI	IV/EEE	International Journal of Emerging Technology in Computer science and Electronics	0976-1353, Vol 24, Issue 4	Mar-17
5	KEERTHANA.C	IV/EEE	International Journal of Emerging Technology in Computer science and Electronics	0976-1353, Vol 24, Issue 4	Mar-17
6	MONICA.S	IV/EEE	International Journal of Emerging Technology in Computer science and Electronics	0976-1353, Vol 24, Issue 4	Mar-17
7	DHANALAKSHMI.R	IV/EEE	International Journal of Emerging Technology in Computer science and Electronics	0976-1353, Vol 24, Issue 4	Mar-17

EXTRA-CURRICULAR ACTIVITIES:

S.NO	NAME	YEAR/D EPT	NAME OF THE INSTITUTION	EVENT NAME	ATTEN DED DATE	POSITION WON/ PARTICIP ATION
1	P.DEEPIKA	II/EEE	MOOKAMBIGAI COLLEGE OF ENGINEERING	MIME	24.02.2017	II PLACE
2	P.KAVIYA BHARATHI	II/EEE	MOOKAMBIGAI COLLEGE OF ENGINEERING	MIME	24.02.2017	II PLACE
3	M.EZHIL MATHI	II/EEE	MOOKAMBIGAI COLLEGE OF ENGINEERING	MIME	24.02.2017	II PLACE
4	P.INDHUPRIYA	II/EEE	MOOKAMBIGAI COLLEGE OF ENGINEERING	MIME	24.02.2017	II PLACE
5	N.B.BHARATH	III/EEE	KARPAGAM UNIVERSITY	VERIETY ENTERTAIN MENT	24.02.2017	III PLACE
6	N.B.BHARATH	III/EEE	KARPAGAM UNIVERSITY	CLASH OF BAND	24.02.2017	Participation

7	N.B.BHARATH	III/EEE	KARPAGAM UNIVERSITY	SHORT FILM	24.02.2017	III PLACE
8	R.SELVARAJESHWARI	III/EEE	KARPAGAM UNIVERSITY	GROUP DANCE	24.02.2017	II PLACE
9	PAVITHRAN	III/EEE	KARPAGAM UNIVERSITY	GROUP DANCE	24.02.2017	II PLACE
10	R.PATHMAVATHI	III/EEE	KARPAGAM UNIVERSITY	GROUP DANCE	24.02.2017	II PLACE
11	K.VINITHA	III/EEE	KARPAGAM UNIVERSITY	GROUP DANCE	24.02.2017	II PLACE
12	R.KIRUBHA	III/EEE	KARPAGAM UNIVERSITY	GROUP DANCE	24.02.2017	II PLACE
13	J.JAYASURYA	III/EEE	TAMILNADU POLICE	POLICE PUBLIC SPORTS MEET-2017	21.02.2017	III PLACE

CO-CURRICULAR ACTIVITIES (TECHNICAL & NON-TECHNICAL EVENTS)

S.NO	NAME	YEAR/D EPT	NAME OF THE INSTITUTION	EVENT NAME	ATTENDED DATE	POSITION WON/ PARTICIPATION
1	R.SOORIYA PRIYA DHARSHINI	II/EEE	JJ COLLEGE OF ENGINEERING & TECHNOLOGY	TECHNICAL WIZ	20/9/2016	FIRST
2	T.NANDHITA	II/EEE	JJ COLLEGE OF ENGINEERING & TECHNOLOGY	TECHNICAL WIZ	20/9/2016	FIRST
3	A.SHAHUL HAMEED	IV/EEE	JJ COLLEGE OF ENGINEERING & TECHNOLOGY	GROUP DISCUSSION	20/9/2016	Participation
4	A.SHAHUL HAMEED	IV/EEE	JJ COLLEGE OF ENGINEERING & TECHNOLOGY	TECHNICAL WIZ	20/9/2016	Participation
5	D.SATHISH KUMAR	III/EEE	MEPCO SCHLENK ENGG COLLEGE	KAVITHI DAL	16/09/2016 - 17/09/2016	THIRD
6	K.PARAMESHW ARAN	III/EEE	MAM COLLEGE OF ENGINEERING	CIRCUIT DEBUGGING	09-10-2016	Participation
7	J.RAMNATH SANGALP	III/EEE	MAM COLLEGE OF ENGINEERING	CIRCUIT DEBUGGING	09-10-2016	FIRST
8	K.PARAMESHW ARAN	III/EEE	MAM COLLEGE OF ENGINEERING	TECHNICAL QUIZ	09-10-2016	FIRST
9	J.RAMNATH SANGALP	III/EEE	MAM COLLEGE OF ENGINEERING	TECHNICAL QUIZ	09-10-2016	FIRST

10	B.RAJBABU	III/EEE	MAM COLLEGE OF ENGINEERING	TECHNICAL QUIZ	09-10-2016	Participation
11	K.RAGAVENTHIRAN	III/EEE	MAM COLLEGE OF ENGINEERING	CIRCUIT DEBUGGING	09-10-2016	Participation
12	K.RAGAVENTHIRAN	III/EEE	MAM COLLEGE OF ENGINEERING	TECHNICAL QUIZ	09-10-2016	Participation
13	K.SATHISH	III/EEE	SRI SAIRAM INSTITUTE OF TECHNOLOGY	BEEK SPEAK	23/8/2016	Participation
14	J.RAMNATH SANGALP	III/EEE	SRI SAIRAM INSTITUTE OF TECHNOLOGY	BEEK SPEAK	23/8/2016	Participation
15	M.SHAHUL HAMEED	III/EEE	SRI SAIRAM INSTITUTE OF TECHNOLOGY	BEEK SPEAK	23/8/2016	Participation

EXTRA-CURRICULAM WINNERS

S.NO	NAME	YEAR/DEPT	NAME OF THE INSTITUTION	EVENT NAME	ATTENDED DATE	POSITION WON/ PARTICIPATION
1	SUDHA.M	II/EEE	PARISUDHAM INSTITUTE OF TECHNOLOGY	TABLE TENNIS	15-09-2016	III PIZE
2	PAVITHRAN	III/EEE	PARISUDHAM INSTITUTE OF TECHNOLOGY	TABLE TENNIS	15-09-2016	III PIZE
3	N.PATHMANABAN	II/EEE	ANNA UNIVERSITY SPORTS BOARD-SHRI ANGALAMMAN COLLEGE OF ENGG	KABADI	13.09.2016-14.09.2016	II PRIZE

4	K.KAVIRAJAN	III/EEE	ANNA UNIVERSITY SPORTS BOARD- SHRI ANGALA AMMAN COLLEGE OF ENGG	KABADI	13.09.2016- 14.09.2016	II PRIZE
5	NAVEEN N	II/EEE	ANNA UNIVERSITY SPORTS BOARD- JAYARAM COLLEGE OFN ENGG & TECH	HAND BALL	11.09.2016- 12.09.2016	III PIZE
6	VISHAL DEEPAK.K	II/EEE	ANNA UNIVERSITY SPORTS BOARD- JAYARAM COLLEGE OFN ENGG & TECH	HAND BALL	11.09.2016- 12.09.2016	III PIZE
7	SUDHA.M	II/EEE	ANNA UNIVERSITY SPORTS BOARD- SHRI ANGALA AMMAN COLLEGE OF ENGG	BASKET BALL	28.08.2016- 29.08.2016	III PIZE
8	NANDHITHA.T	II/EEE	ANNA UNIVERSITY SPORTS BOARD- SHRI ANGALA AMMAN COLLEGE OF ENGG	BASKET BALL	28.08.2016- 29.08.2016	III PIZE
9	T.SUMEET	III/EEE	ANNA UNIVERSITY SPORTS BOARD- M.A.M COLLEGE OF ENGINEERING	FOOT BALL	22.08.2016- 23.08.2016	III PIZE
10	SUDHA.M	II/EEE	ANNA UNIVERSITY SPORTS BOARD- TRP ENGINEERING COLLEGE	TABLE TENNIS	19.08.2016- 20.08.2016	I PRIZE
11	L.BASKAR	II/EEE	ANNA UNIVERSITY SPORTS BOARD- TRP ENGINEERING COLLEGE	TABLE TENNIS	19.08.2016- 20.08.2016	III PIZE
12	R.VINOTH	II/EEE	ANNA UNIVERSITY SPORTS BOARD- TIE	CHESS	17.08.2016- 18.08.2016	II PRIZE

CULTURALS WINNERS

S.N O	NAME	YEAR/D EPT	NAME OF THE INSTITUTION	EVENT NAME	ATTEN DED DATE	POSITION WON/ PARTICIPATION
1	P.DEEPIKA	II/EEE	MOOKAMBI GAI COLLEGE OF ENGINEERING	MIME	24.02.2017	II PLACE
2	P.KAVIYA BHARATHI	II/EEE	MOOKAMBI GAI COLLEGE OF ENGINEERING	MIME	24.02.2017	II PLACE
3	M.EZHIL MATHI	II/EEE	MOOKAMBI GAI COLLEGE OF ENGINEERING	MIME	24.02.2017	II PLACE
4	P.INDHUPRIYA	II/EEE	MOOKAMBI GAI COLLEGE OF ENGINEERING	MIME	24.02.2017	II PLACE
5	N.B.BHARATH	III/EEE	KARPAGAM UNIVERSITY	VERIETY ENTERTAIN MENT	24.02.2017	III PLACE
6	N.B.BHARATH	III/EEE	KARPAGAM UNIVERSITY	SHORT FILM	24.02.2017	III PLACE
7	R.SELVARAJES HWARI	III/EEE	KARPAGAM UNIVERSITY	GROUP DANCE	24.02.2017	II PLACE
8	PAVITHRA N	III/EEE	KARPAGAM UNIVERSITY	GROUP DANCE	24.02.2017	II PLACE
9	R.PATHMAVAT HI	III/EEE	KARPAGAM UNIVERSITY	GROUP DANCE	24.02.2017	II PLACE
10	K.VINITHA	III/EEE	KARPAGAM UNIVERSITY	GROUP DANCE	24.02.2017	II PLACE
11	R.KIRUBHA	III/EEE	KARPAGAM UNIVERSITY	GROUP DANCE	24.02.2017	II PLACE

PLACEMENT RECORD (BATCH 2013 – 17)

I am very delighted to share our strong placement record of our Fourth batch Engineers. On behalf of our placed students, I thank our Management, Executive Director, Principal, Trainers of Placement department, HOD & faculties of our department for their great support & Guidance. Also I congratulate all the students who got placed in various companies for their bright future.



***-Mr.A.Anton Amala Praveen M.E
Placement in charge / EEE***

<i>S.No</i>	<i>Roll No</i>	<i>NAME</i>	<i>COMPANY</i>
1	EE1383	YALINI D	WIPRO,INAUTIX,CAPEGEMINI
2	EE1332	MONICA S	WIPRO,CAPEGEMINI
3	EE1312	CIBI SL	WIPRO
4	EE1315	DHIVAKARAN V	WIPRO
5	EE1320	HARIHARAN SV	WIPRO
6	EE1321	JAYAVEL A	WIPRO
7	EE1329	MANJHUSHAH PM	WIPRO
8	EE1340	PRADEEPA R	WIPRO
9	EE1348	PRIYADHARSHINI KS	WIPRO
10	EE1350	PRIYANKA R	WIPRO
11	EE1371	SUMITHRA B	WIPRO
12	EE1372	SUNDARARAJAN B	WIPRO
13	EE1384	YAMUNA R	WIPRO
14	EE1354	RAVIKUMAR R	WINDCARE
15	EE1323	KAMESHWARAN	WINDCARE
16	EE1353	RAMA HRISHNAN V	WINDCARE
17	EE1378	VENKATESAN D	WINDCARE
18	EE1374	THIYAGESH RAJ N	WINDCARE
19	EE1341	PRAKATHESWARAAN	TECH MAHINDRA
20	EE1385	YASWNATH P	TECH MAHINDRA

21	EE1318	FAYEEM	MAGUS,JUST CONNET
22	EE1334	NAVEENRAJ	MAGUS,JUST CONNECT
23	LEE1388	PRAGADEESH B	VEE TECHNOLOGIES
24	EE1365	SHANKAR V	AMAZON
25	EE1317	ELAVARASAN	SUTHERLAND
26	EE1380	VIGNESH R	SUTHERLAND
27	EE1306	ANISH	AAGNA COPORATE SERVICESA
28	EE1336	POONGUZHALI	AAGNA COPORATE SERVICESA
29	EE1337	POOVENDHAN	AAGNA COPORATE SERVICESA
30	EE1338	PRABAHAR	AAGNA COPORATE SERVICESA
31	EE1361	SATHIYARAJ M	AAGNA COPORATE SERVICESA
32	EE1379	VENKATESH B	AAGNA COPORATE SERVICESA
33	LEE1390	RAVI SHANKAR R	AAGNA COPORATE SERVICESA
34	EE1302	ABDUL RAHIMAN	ZEALOUS SERVICES
35	EE1331	MEENA	ZEALOUS SERVICES
36	EE1343	PRAVEEN RJ	ZEALOUS ,JUST CONNECT
37	EE1347	PRITHIKA A	ZEALOUS SERVICES
38	EE1356	SACHIN B	ZEALOUS SERVICES
39	EE1360	SATHYAPRIYA S	ZEALOUS SERVICES
40	EE1381	VIMALA V	ZEALOUS SERVICES
41	EE1352	RAJESH KUMAR R	JUST CONNECT
42	EE1366	SIVA RAMAN D	JUST CONNECT
43	LEE1392	VENKATESAN S	JUST CONNECT
44	EE1309	BAKIYALAKSHMI	BRIGHT CALL CENTRE
45	EE1375	VAITHEESWARI R	BRIGHT CALL CENTRE

ACHIEVEMENTS OF TEAM “EEE”...!

Anna University Results - Academic Year (2016 - 2017):

Our Batch 2014-18 Students hold 5th position in the state level with the pass percentage of 93.14% in Nov - Dec 2016 Third semester exam results declared by Anna University.

Our Batch 2014-18 Students hold 6th position in the state level with the pass percentage of 87.90% in Apr - May 2017 Third semester exam results declared by Anna University.

Achievements by Faculties - Academic Year (2016 - 2017):

Nov-Dec 2016: (100% Results)

Mr.T.RAMKUMAR in “ELECTRONIC DEVICES AND CIRCUITS” for the 5^h semester U.G.exam.

Mrs.S.R.PAVEETHRA in “POWER PLANT ENGINEERING” for the 5^h semester U.G.exam.

Ms.S.GEERTHANA in “MICRO PROCESSOR AND MICRO CONTROLLER” for the 5^h semester U.G.exam.

Mr.R.SURESH KUMAR in “POWER SYSTEM ANALYSIS” for the 5^h semester U.G.exam.

Mr.A.T.SANKARA SUBRAMANIAN in “ELECTRICAL MACHINES-II”for the 5^h semester U.G.exam.

Mr.A.ARUN VIKRAM in “CONTROL SYSTEMS” for the 5^h semester U.G.exam.

Ms.S.K.BHAVITHRA in “POWER PLANT ENGINEERING” for the 5^h semester U.G.exam.

Mrs.C.KALAVALLI in “POWER ELECTRONICS” for the 5^h semester U.G.exam.

Mr.R.PONNANGAN in “MICRO PROCESSOR AND MICRO CONTROLLER” for the 5^h semester U.G.exam.

Mr.K.JAGANRAJ in “HIGH VOLTAGE ENGINEERING” for the 5^h semester U.G.exam.

Ms.M.JAYALAKSHMI in “SPECIAL ELECTRICAL MACHINES” for the 5^h semester U.G.exam.

Apr - May 2017 (100% Results)

Mr.P.SABARISH in “DISCRETE TIME SYSTEMS AND SIGNAL PROCESSING” for the 5^h semester U.G.exam.

FACULTIES CO – CURRICULAR ACTIVITIES (2016 – 2017)

FACULTY DEVELOPMENT PROGRAMME

<i>S.No</i>	<i>Faculty Name</i>	<i>Title</i>	<i>Attended Date</i>		<i>Venue</i>	<i>Category</i>
			<i>From</i>	<i>To</i>		
1	R.Lilly Renuka	An FDP on Analog,Power,Embedded systems and wireless hands on workshop	25/07/16	28/07/16	NIT TRICHY	FDP
2	M.D.Udayakumar	An FDP on Analog,Power,Embedded systems and wireless hands on workshop	25/07/16	28/07/16	NIT TRICHY	FDP
3	B.karthikeyan	An FDP on Analog,Power,Embedded systems and wireless hands on workshop	25/07/16	28/07/16	NIT TRICHY	FDP

4	A.Arunvikram	Solar Photovoltaic and Solar Thermal Applications	20-06-2017	23-06-2017	Mepco Schlenk Engineering College	FDP
5	R.Ramkumar	Solar Photovoltaic and Solar Thermal Applications	20-06-2017	23-06-2017	Mepco Schlenk Engineering College	FDP
6	R.Lilly Renuka	A FDP on Protection And Switch Gear	22-06-2017	23-06-2017	K.Ramakrishnan College Of Engineering	FDP
7	R.Jaiganesh	A FDP on Protection And Switch Gear	22-06-2017	23-06-2017	K.Ramakrishnan College Of Engineering	FDP
8	P.Sabarish	A FDP on Power System Analysis	19-06-2017	20-06-2017	K.Ramakrishnan College Of Engineering	FDP
9	M.D.Udayakumar	A FDP on Power System Analysis	19-06-2017	20-06-2017	K.Ramakrishnan College Of Engineering	FDP
10	L.Nagaragan	A FDP on Linear Integrated Circuits	15-06.2017	16-06-2017	KLN Collge of Engineering Chennai	FDP
11	A.Arunvikram	A FDP on Advanced Teaching Techniques	10-01-2017	11-01-2017	NSN College of Engineering & Technology	FDP
12	A.Anton Amala Praveen	A FDP on Solid State Drives	14/12/2016	21/12/2016	Francis Xavier Engineering College	FDP
13	R.Suresh Kumar	A FDP on Solid State Drives	14/12/2016	21/12/2016	Francis Xavier Engineering College	FDP
14	R.Lilly Renuka	A FDP on Power Electronics for Renewable Energy Ssystems	14/12/2016	15/12/2016	TRP Engineering College	FDP
15	S.K.Bhavithra	A FDP on Power Electronics for Renewable Energy Ssystems	14/12/2016	15/12/2016	TRP Engineering College	FDP
16	L.Nagaragan	A FDP on Power Electronics for Renewable Energy Ssystems	14/12/2016	15/12/2016	TRP Engineering College	FDP
17	M.D.Udayakumar	A FDP on Power Operation and Control (EE6603)	1/12/2016 9/12/2016	5/12/2016 10/12/2016	Kalasalingam Institute of Technology	FDP
18	R.Jaiganesh	A FDP on Power Electronics for Renewable Energy Ssystems (EE6009)	28/11/2016	12-05-2016	Anna university Chennai GKM College of Engineering & Technology	FDP

19	P.Sabarish	A FDP on Power Electronics for Renewable Energy Ssystems (EE6009)	28/11/2016	12-05-2016	Anna university Chennai GKM College of Engineering & Technology	FDP
----	------------	---	------------	------------	---	-----

NATIONAL WORKSHOP

S.No	Faculty Name	Title	Attended Date		Venue	Category
			From	To		
1	C.Kalavalli	A workshop on Smart Grid	18/8/16	19/8/16	Selvam College of Technology, Namakkal	National Workshop
2	S.Vijayalakshmi	A workshop on Smart Grid	18/8/16	19/8/16	Selvam College of Technology, Namakkal	National Workshop
3	A.Anton amala praveen	A workshop on Software tools for design and controlling of special electrical machines	08-12-2016	13/8/2016	SRM University Chennai	National Workshop
4	P.Sabarish	A workshop on Software tools for design and controlling of special electrical machines	08-12-2016	13/8/2016	SRM University Chennai	National Workshop
5	A.T.Sankara Subramanian	A workshop on Software tools for design and controlling of special electrical machines	08-12-2016	13/8/2016	SRM University Chennai	National Workshop
6	R.Ramkumar	A Simulation workshop on power electronics and electric drives	08-05-2016	08-06-2016	SSN Ccollege of Engineering, Chennai	National Workshop

7	L.Nagaragan	A Simulation workshop on power electronics and electric drives	08-05-2016	08-06-2016	SSN Ccollege of Engineering, Chennai	National Workshop
8	R.Jaiganesh	A workshop on introduction to robotics	29/08/2016	30/08/2016	Dr.G.R.Damodaran college of science	National Workshop
9	R.Jaiganesh	A workshop on LABVIEW Software and its Modules	16/03/17	17/03/17	K.Ramakrishnan College of Technology	National Workshop
10	L.Nagaragan	A workshop on LABVIEW Software and its Modules	16/03/17	17/03/17	K.Ramakrishnan College of Technology	National Workshop
11	S.Arunkumar	A workshop on LABVIEW Software and its Modules	16/03/17	17/03/17	K.Ramakrishnan College of Technology	National Workshop
12	R.Ramkumar	A workshop on IOT using OpenCV Platform and Raspberry Pi	22/02/17	23/02/17	Thiyagarajar College of Engineering	National Workshop
13	S.Arunkumar	A workshop on IOT using OpenCV Platform and Raspberry Pi	22/02/17	23/02/17	Thiyagarajar College of Engineering	National Workshop
14	A.Arunvikram	IOT using Raspberry Pi	22/02/17	23/02/17	Thiyagarajar College of Engineering	National Workshop

15	B.karthikeyan	A workshop on Smart Grid/Smart City - An Indian Perspective	02-04-2017	02-04-2017	Kongu Engineering College	National Workshop
16	R.Jaiganesh	A workshop on Applications Of Power Electronics and Control Systems	18/05/2017	20/05/2017	National Institute of Technology	National Workshop
17	A.Anton Amala Praven	A workshop on Applications Of Power Electronics and Control Systems	18/05/2017	20/05/2017	National Institute of Technology	National Workshop

OTHERS

S.No	Faculty Name	Title	Attended Date		Venue	Category
			From	To		
1	L.Nagaragan	A Course on Recent Trends in Solar Energy And Instrumentation	09-06-2017	11-06-2017	NIT TRICHY	Course
2	S.R.Paveethra	Participated in the national Seminar On "FACT Devices and Controllers in Power Systems"	24\2\2017	24\2\2017	PSNA College of Electrical & Electronics Engineering	Seminar

3	N.Gowri	Participated in the national Seminar On "FACT Devices and Controllers in Power Systems"	24\2\2017	24\2\2017	PSNA College of Electrical & Electronics Engineering	Seminar
4	M.Jayalakshmi	Participated in the national Seminar On "FACT Devices and Controllers in Power Systems"	24\2\2017	24\2\2017	PSNA College of Electrical & Electronics Engineering	Seminar

INTERNATIONAL CONFERENCE

S.No	Faculty Name	Title	Attended Date		Venue	Category
			From	To		
1	R.Jaiganesh	Presented a Paper in an International Conference on Emerging Trends in Electrical, Electronics and Communication systems	24/08/2016	24/08/2016	University College Of Engineering, BIT Campus, Anna University	International Conference
2	R.Ramkumar	Presented a Paper in an International Conference on Emerging Trends in Electrical, Electronics and Communication systems	24/08/2016	24/08/2016	University College Of Engineering, BIT Campus, Anna University	International Conference
3	A.Nazar Ali	Presented a paper in an International Conference on Electrical, Instrumentation & Communication Engineering (ICEICE-2017)	27/4/2017	28/4/2017	M.Kumarasamy college of Engineering	International Conference

4	A.T Sankara Subramanian	Presented a paper in an International Conference on Electrical, Instrumentation & Communication Engineering (ICEICE-2017)	27/4/2017	28/4/2017	M.Kumarasamy college of Engineering	International Conference
5	P.Sabarish	Presented a paper in an International Conference on Electrical, Instrumentation & Communication Engineering (ICEICE-2017)	27/4/2017	28/4/2017	M.Kumarasamy college of Engineering	International Conference
6	A.Nazar Ali	Presented a paper in an International Conference on Innovations in Power Electronics Control & Systems (IPECS-2017)	04-05-2017	04-05-2017	M.A.M. College of Engineering	International Conference
7	R.Ramkumar	Presented a paper in an International Conference on Innovations in Power Electronics Control & Systems (IPECS-2017)	04-05-2017	04-05-2017	M.A.M. College of Engineering	International Conference
8	S.Vijayalakshmi	Presented a paper in an International Conference on Engineering, Energy & Environment(IEEE-2017)	03-02-2017	03-02-2017	TRP Engineering College	International Conference
9	A.Anton Amala Praveen	Presented a paper in an International Conference on Engineering, Energy & Environment(IEEE-2017)	03-02-2017	03-02-2017	TRP Engineering College	International Conference
10	B.karthikeyan	Presented a paper in an International Conference on Engineering, Energy & Environment(IEEE-2017)	03-02-2017	03-02-2017	TRP Engineering College	International Conference
11	S.Arunkumar	International Conference on Engineering (IEEE-2017)	03-02-2017	03-02-2017	TRP Engineering College	International Conference

12	L.Nagaragan	Presented a paper in an International Conference on Engineering, Energy & Environment(IEEE-2017)	03-02-2017	03-02-2017	TRP Engineering College	International Conference
13	M.Jayalakshmi	Presented a paper in an International Conference on Engineering, Energy & Environment(IEEE-2017)	03-02-2017	03-02-2017	TRP Engineering College	International Conference
14	N.Gowri	Presented a paper in an International Conference on Engineering, Energy & Environment(IEEE-2017)	03-02-2017	03-02-2017	TRP Engineering College	International Conference
15	A.Arunvikram	Presented a paper in an International Conference on Engineering, Energy & Environment(IEEE-2017)	03-01-2017	03-01-2017	TRP Engineering College	International Conference
16	M.D.Udayakumar	Presented a paper in an International Conference on Engineering, Energy & Environment(IEEE-2017)	03-01-2017	03-01-2017	TRP Engineering College	International Conference
17	S.K.Bhavithra	Presented a paper in an International Conference on Engineering, Energy & Environment(IEEE-2017)	03-01-2017	03-01-2017	TRP Engineering College	International Conference
18	S.R.Paveethra	Presented a paper in an International Conference on Engineering, Energy & Environment(IEEE-2017)	03-01-2017	03-01-2017	TRP Engineering College	International Conference
19	P.Sabarish	International Conference on Engineering, Energy & Environment(IEEE-2017)	31/03/2017	31/03/2017	TRP Engineering College	International Conference

20	A.Nazar Ali	Presented a paper in an International Conference on Engineering, Energy & Environment(IEEE-2017)	31/03/2017	31/03/2017	TRP Engineering College	International Conference
21	R.Jaiganesh	Presented a paper in an International Conference on Engineering, Energy & Environment(IEEE-2017)	31/03/2017	31/03/2017	TRP Engineering College	International Conference
22	T.Ramkumar	Presented a paper in an International Conference on Engineering, Energy & Environment(IEEE-2017)	31/03/2017	31/03/2017	TRP Engineering College	International Conference
23	A.Arunvikram	Presented a paper in an International Conference on Recent Trends in Engineering Science	25/03/2017	25/03/2017	Vetri Vinayaha college of Engineering&Technology	International Conference
24	C.Kalaavalli	Presented a paper in an International Conference on Emerging Innovation in Engineering Technology	25\3\2017	25\3\2017	Christ Institute of Technology , Puducherry	International Conference
25	R.Ramkumar	Presented a paper in an International Conference on Science, Technology, Engineering and Management	24/03/17	24/03/17	Jeppiar Engineering College	International Conference
26	A.Arunvikram	Presented a paper in an International Conference on Science, Technology, Engineering and Management	24/03/17	24/03/17	Jeppiar Engineering College	International Conference
27	R.Lilly Renuka	International Conference on Current Research in Engineering Science and Technology	17\3\2017	17\3\2017	Seventh Sense Research Group	International Conference
28	R.Jaiganesh	International Conference on Power & Embedded Drive Control	18/03/17	18/03/17	SSN College of Engineering	International Conference

29	T.Ramkumar	Presented a paper in an International Conference on Power & Embedded Drive Control	18/03/17	18/03/17	SSN College of Engineering	International Conference
30	S.Kodeeswaran	Presented a paper in an International Conference on Power & Embedded Drive Control	18/03/17	18/03/17	SSN College of Engineering	International Conference
31	A.Nazar Ali	Presented a paper in an International Conference on Engineering, Technology, and Science	24/02/17	24/02/17	K.Ramakrishnan College of Engineering	International Conference
32	A.T.Sankara Subramanian	Presented a paper in an International Conference on Engineering, Technology, and Science	24/02/17	24/02/17	K.Ramakrishnan College of Engineering	International Conference

STUDENTS CORNER....!

INPLANT TRAINING EXPERIENCE...!

A Visit to TANGEDCO – Trichy

TANGEDCO, Trichy has various Departments as given below,

- Special maintenance
- Meter and relay test
- Research and development □ Substation

Special features:

- The total area of substation location is around 35 acres
- The installed capacity was 96MVA in the year of 1935
- Demand pay is 80-120 MW
- Tan-Delta Test, Resistivity test, Flash point Test, Interfacial Test, Disolved Gas Analysis are done in RESERCH AND DEVELOPMENT LABORATORIES
- Various transformer maintenance and Reclamation oil preparation are done in SPECIAL MAINTENANCE
- Various parameters related to meters are equipped in MRT
- Various testing activities and electricity measurement in LT and HT are one by MRT

The practical visualization of machines/equipments and their working principles has enriched our knowledge and practical application of theory what we learn.

- S. MURUGAPPAN (*IV EEE*)

A VISIT TO KUDANKULAM NUCLEAR POWER PROJECT (KKNPP)

The Kudankulam site is located along the coast of Gulf of Mannar, 25kms north-east of Kanyakumari, in Radhapuram Taluk, Tirunelveli- District in Tamilnadu. Here 1000 MW power is generated (Unit 1, Unit 2) and it is supplied to tirunelveli, madurai and some other places. About 925 MW is supplied to tamilnadu and about 266 MW is supplied to kerala and 442MW to karnataka. Unit 3, Unit 4 are about to start within 6 months. It is a Russian based project.

The site has hard rock at reasonable depth providing good foundation conditions.

- The site is in Seismic Zone II (low seismic potential)
- The site is not subject to severe cyclonic storms, tidal waves and tsunami.
- There is no population within the exclusion zone of 2 km from the proposed plant site.

SPECIAL FEATURES OF KUDANKULAM NUCLEAR REACTOR:

- It has a capacity of generating 2 x 1000MW electric power.
- It comes under Generation-3 category.
- Technology of unbounded pre-stressing cable system is used.
- The inner containment wall is able to withstand a pressure of about 4Kg/cm².
- It can withstand earthquake ranges below 7 in Richter scale.
- 12 heat exchangers for passive decay heat removal for an unlimited period of heat removal.
- 8 additional hydraulic accumulators for passive reactor core cooling.
- New passive fast boron injection system to transfer the reactor in a sub-critical state.

KKNPP power output system:

- The following are the components of the power output system for KKNPP:
- 1000 MW generator: 24 KV
- Generator circuit breaker: 24 KV, 30 KA
- Generator transformer : 3x417MVA, 24/400 KV
- 400 KV switchyard (Gas Insulated Switch-yard)
- 220 KV switchyard (Gas Insulated Switch-yard)

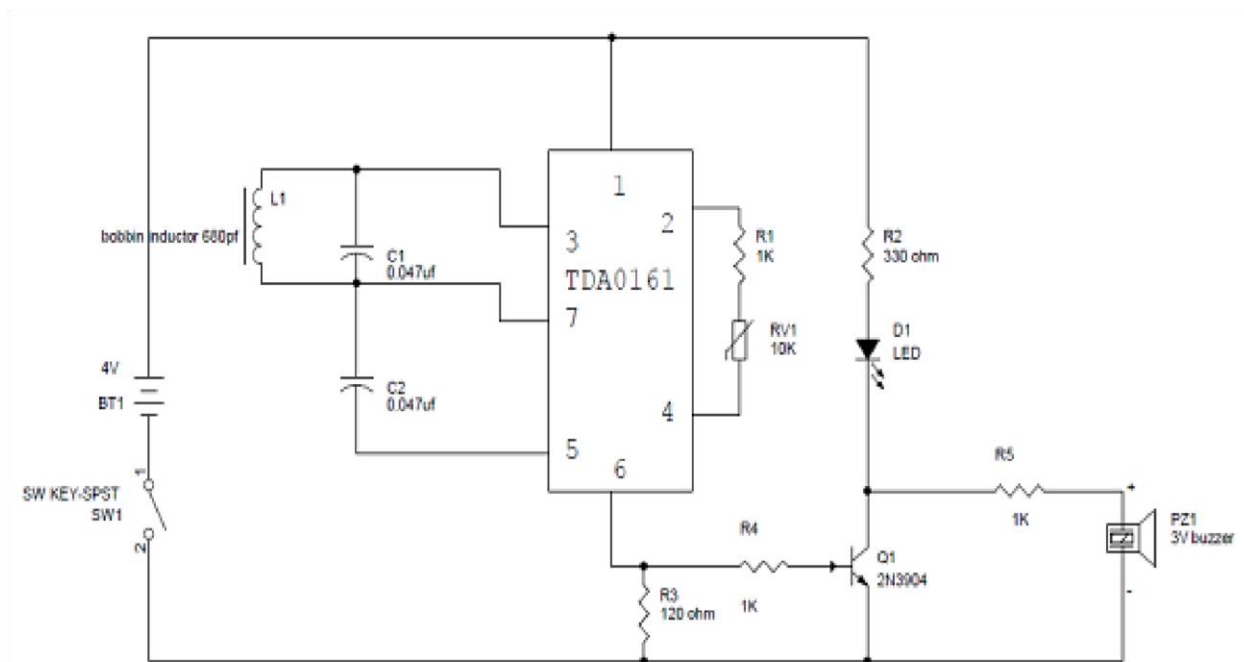
- Interconnecting transformers(between 220 KV and 400 KV):315MVA, 400KV/220KV
- Transmission lines for power evacuation (four numbers of 400 KV transmission lines).

We got rich exposure to industrial climate and also learnt about the industrial discipline, safety precautions generally applicable in the Construction and Power industry. We also got plenty of knowledge about various safety aspects used in Nuclear Power Plant. The practical visualization of machines /equipments and its working principles has enriched us about the practical application of the theory what we learnt in our class rooms.

MR. M. SHAHUL HAMEED(IV YEAR)

TRY THESE SIMPLE CIRCUITS.....!

METAL DETECTOR:



Components Used:-

Capacitor-2

Batrrary-12v

TDA0161

Resistor-330ohm, 120ohm, 1k(2)

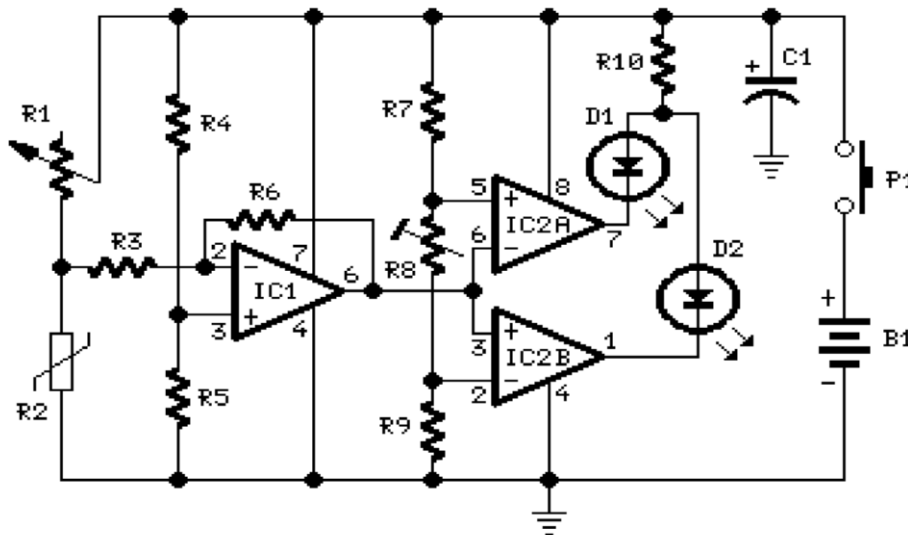
Transistor-(2N3904)

Buzzer-1

Proximity Sensor

- Mr.S.Ram Kumar (IV EEE B)

ENERGY LEAK DEDECTOR:



R1 - 22K Linear Potentiometer

R2 - 15K @20 C n.t.c Thermistor

R3 - 10K ¼ Watts Resistor

R4, R5, R7, R9 - 22K ¼ Watts Resistor

R6 - 220 K ¼ watts Resistor

R8 - 5 K ¼ watts Resistor

R10 680R ¼ watts Resistor

C1 - 47 micro F, 63 V Electrolytic Capacitor

D1 - 5mm Red LED

D2 - 5 mm Green LED

IC1 - TL061 Low current BIFET

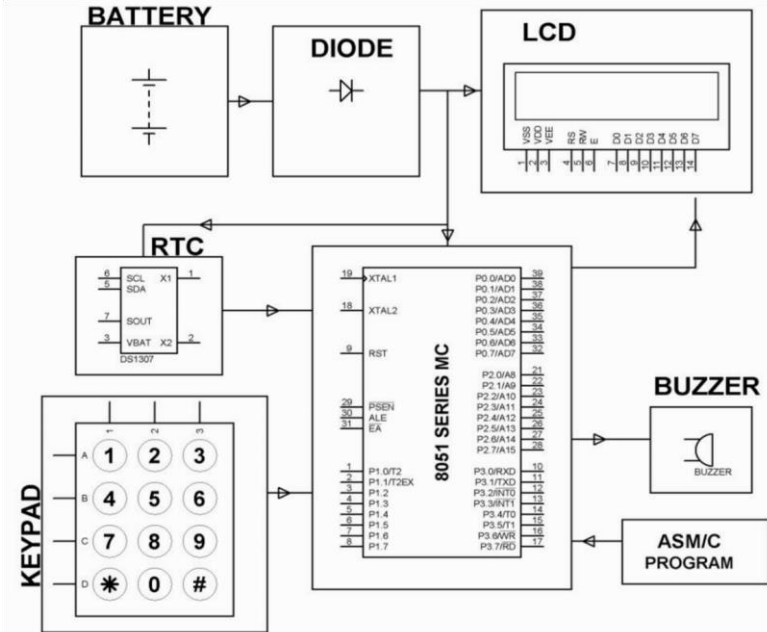
Op-Amp. IC2 - LM393 -Dual

voltage comparator IC P1 -SPST

Push button

- Mr.Prakash. D (IV EEE B)

PORTABLE PROGRAMMABLE MEDICATION REMINDER



Components Used:-

BATTERY

DIODE

LCD

RTC

8051 SERIES MC

BUZZER

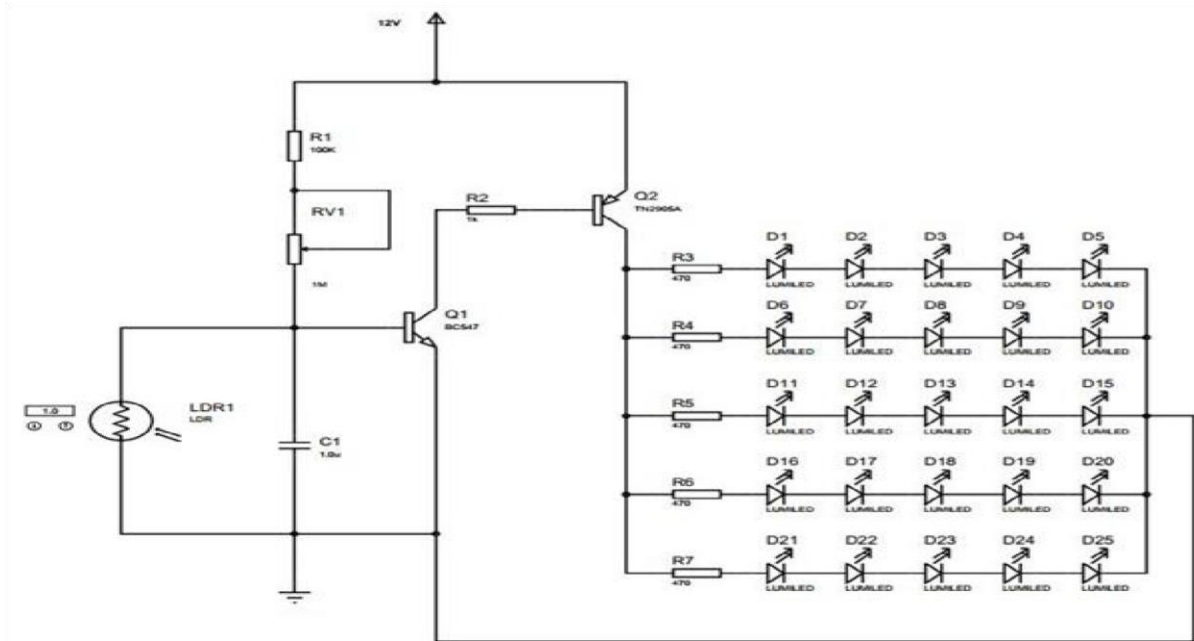
KEYPAD

ASM/C PROGRAM

Software Requirements: Keil compiler, Language: Embedded C or Assembly

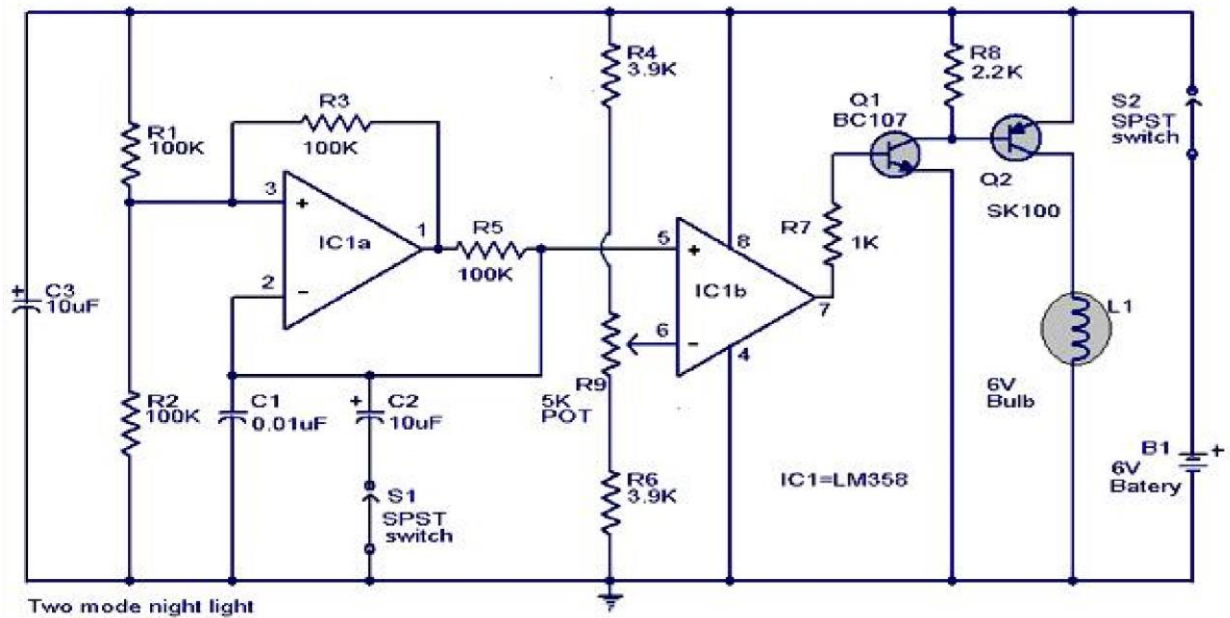
Mr. Fayaz Ahamed (IV EEE)

AUTO NIGHT LAMP USING HIGH POWER LED CIRCUITS:



Mr. Naveenth (III year A)

TWO MODE NIGHT LIGHT CIRCUIT:



Mr.M.Santhosh Deva (II year B)

TECHNICAL ZONE...!

FACTS FOR MAGAZINE

1. **William Gilbert** is regarded as the father of electrical engineering or electricity and magnetism.
2. A spark of static electricity can measure up to three thousand (3,000) volts.
3. A bolt of lightning can measure up to three million (3,000,000) volts, and it lasts less than one second.
4. A 600 megawatt natural gas plant can power 220,000 homes.
5. The first power plant - owned by Thomas Edison - opened in New York City in 1882.
- 6.. Thomas Edison invented more than 2,000 new products, including almost everything needed for us to use electricity in our homes: switches, fuses, sockets and meters.
- 7... Benjamin Franklin didn't discover electricity, but he did prove that lightning is a form of electrical energy.
8. The first successful electric car was built in 1891 by American inventor William Morrison.
9. Coal is the world's biggest source of energy for producing electricity.
10. Only 10% of energy in a light bulb is used to create light. Ninety percent of a light bulb's energy creates heat.
11. Compact fluorescent light bulbs (CFLs), on the other hand, use about 80% less electricity than conventional bulbs and last up to 12 times as long.
12. Refrigerators in the U.S. consume about the same energy as 25 large power plants produce each year.
13. Enough sunlight reaches the earth's surface each minute to satisfy the world's energy demands—for an entire year.
14. The word “energy” comes from the Greek *energies*, meaning operation, activity.
15. The world's smallest electric motor was announced in 2011, measuring one nanometer (a billionth of a meter or 1/60,000 the width of a human hair) across and consisting of a single molecule..
16. The largest wind turbine in the world is in Denmark. It is 720 feet tall, has 260-foot blades, and can generate 8 megawatts of power (enough to supply electricity for 3,000 American homes).
17. The first video game, called “Tennis for Two” was introduced in 1958 and created by William Higginbotham.
18. The first patent for LEDs was issued to James Beard and Gary Pittman while working at Texas Instrument in 1961.
19. Natural white LEDs are not available. Instead, light bulb makers mix several different LED bulbs which results in light we see as white.
20. The Leyden jar was the first capacitor invented. The Leyden jar was invented in 1745 by Pieter van Musschenbroek.
21. Iceland is the only country whose electricity supply comes entirely from renewable sources.
22. 83% of the world's air pollution comes from the production and use of electricity.
23. Refrigerators account for 7% of the nation's total energy use.

24. **National Clean Out Your Fridge is in November 14.**

25. **The largest fridge in the world is 27 kilometers long.**

26. Edison invented the electric chair not as a means of execution but to demonstrate the dangers of alternating current.

27. The first street in the world to be lit by electric light bulbs was Mosley Street, Newcastle upon Tyne, in 1879.

28. The amount of energy produced by the sun in a 2 week period equals the combined stored energy of all the coal, iron, and natural gas reserves known to man.

29. The fastest passenger train in the world is the Shanghai With a maximum operational speed of 267 mph.

30. In 2009 inventor James Dyson unveiled a handheld vacuum cleaner which he claimed was run by the “fastest motor in the world,” turning at 104,000 rpm.

R.Priyanka (IV year B)

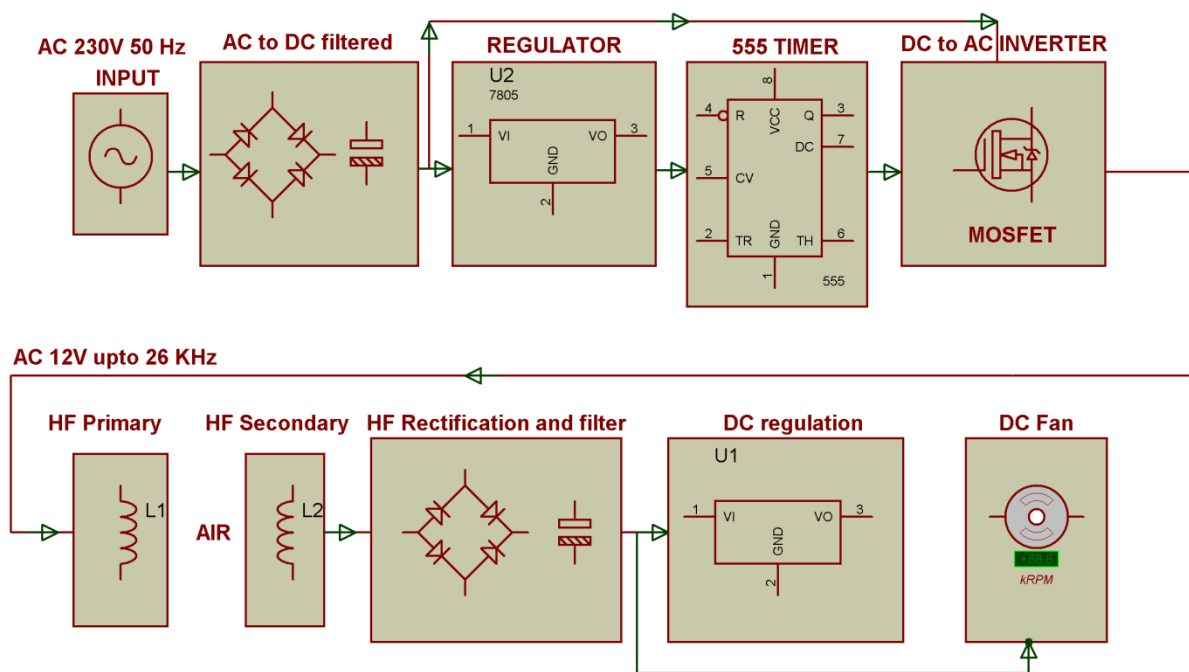
Electricity Generation from Speed Breakers



Day by day, the population is increasing in the entire world and the energy sources are reducing. Therefore, to overcome this problem this project is very useful to generate electricity by utilizing the conventional sources .When a vehicle passes over a speed breaker lots of energy is generated. We can tap the generated energy and produce power by using the speed breaker on the road. The kinetic energy of the vehicles on the roads can be converted into mechanical energy through the mechanism of rack and pinion. Then, this mechanical energy will be converted to electrical energy using a generator which will be stored in the battery. The energy will save during the day time and that an be used in the night time for lighting the street lights . By using this project we can **conserve a lot of electrical energy** which can be used in the fulfillment of the future

B. Narmadha (IV year B)

WIRELESS POWER TRANSFER



The main objective of this project is to develop a system for wireless power transfer for medical applications. Pace Makers have become so popular for its size and flexibility that it had become a life line for heart patients. A pace maker is an electronic device (that works in place of a defective heart valve) which is implanted in a patient body that runs on a battery. The patient is required to undergo surgery every year to replace the battery. This project is designed to charge a rechargeable battery of the pace maker wirelessly, thus avoiding the need for a surgery every year.

This project is formed out of AC 230V 50Hz to AC 12V at 26 KHz circuit. The AC 50 Hz is rectified by bridge rectifier BR1 and the DC derived from the rectifier is again converted to AC by an inverter, which is formed out of MOSFET, by switching the MOSFET at 26 KHz by using 555 timer which is fed to a coil acting as the primary of an air core transformer, the secondary of which is fed to a second rectifier to drive a DC load. The air core transformer operating at 26 KHz is the main concept for wireless power transfer as one cannot transfer 50 Hz AC power by air core. The secondary coil develops a voltage of 26 KHz at 12volt while it is kept over the primary coil where air is used as the core. The output of the secondary is given to a high frequency bridge

rectifier that delivers DC which is then regulated to maintain a constant charging current to a NiCd (Nickel Cadmium) rechargeable battery. However, the overall efficiency of the power transfer is less than 50% for all weakly coupled series resonators. Resonators with a Q of 1,000 should be able to send power over a distance 9 times the radius of the devices with an efficiency of 10%. Normally these batteries have a long life of 7 years. Thus the patient's operation time can be deferred to each 7 year after for replacement of the battery as the charging can be done for 7 years externally. But in the project a DC fan motor is provided in place of a battery charging arrangement for better visibility.

The power supply consists of a step down transformer 230/12V, which steps down the voltage to 12V AC. This is converted to DC using a Bridge rectifier. The ripples are removed using a capacitive filter and it is then regulated to +5V using a voltage regulator 7805 which is required for the operation of the 555 timer and other components.

Mr. SARAVANAN.T (III YR B SEC)

APTITUDE QUESTIONS

From 5 different green balls, four different blue balls and three different red balls, how many combinations of balls can be chosen N taking at least one green and one blue ball?

Ans. 3720.

A boat travels 20 km upstream in 6 Hr and 18 km downstream in 4 Hr .Find the speed of the boat in still water and the speed of the water current?

Ans:- 7/12 k mph

Three cards are drawn at random from an ordinary pack of cards. Find the probability that they will consist of a king, a queen and an ace.

Ans:- 64/2210.

A number of cats got together and decided to kill between them 999919 mice. Every cat killed an equal number of mice. Each cat killed more mice than there were cats. How many cats do you think there were ?

Ans:-991.

Three pipes, A, B, & C are attached to a tank. A & B can fill it in 20 & 30 minutes respectively while C can empty it in 15 minutes. If A, B & C are kept open successively for 1 minute each, how soon will the tank be filled?

Ans. 167 minutes.

A person walking $\frac{5}{6}$ of his usual rate is 40 minutes late. What is his usual time?

Ans. 3 hours 20 minutes

-Mr.D.J.Ragavan, III year-EEE,

MEMS:-

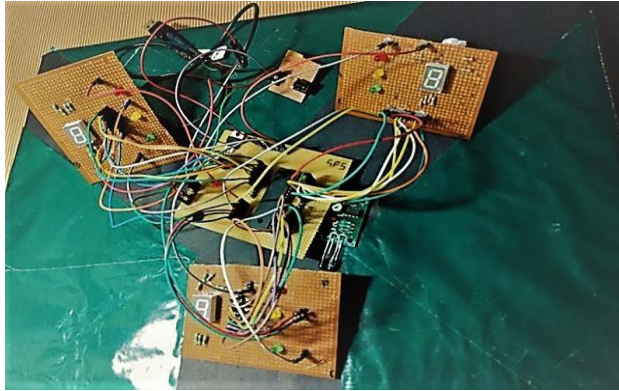


Micro-Electro-Mechanical Systems, or MEMS, is a technology that in its most general form can be defined as miniaturized mechanical and electro-mechanical elements (i.e., devices and structures) that are made using the techniques of micro fabrication. The critical physical dimensions of MEMS devices can vary from well below one micron on the lower end of the dimensional spectrum, all the way to several millimeters. Likewise, the types of MEMS devices can vary from relatively simple structures having no moving elements, to extremely complex electromechanical systems with multiple moving elements under the control of integrated microelectronics.

The one main criterion of MEMS is that there are at least some elements having some sort of mechanical functionality whether or not these elements can move. The term used to define MEMS varies in different parts of the world. In the United States they are predominantly called MEMS.

Mr. S.SANTHOSH (IV YEAR A)

Automatic traffic control



On the way to the accident spot or to the hospital ambulance may or may not stuck in traffic jams. Since we are living in society with massive population and with heavily crowded roads, So to overcome this traffic jams or to take the patient to hospital at early this system helps a lot. Here the ambulance itself informs the nearby traffic light about the incoming of ambulance with the help of Ir led and ambulance buzzer. Traffic lights with the Tshop sensor and the sound sensor converts its light pattern in such a way that the ambulance can get the free way to reach the

Hari Krishna(III year A)

WORKSHOP EXPERIENCE...!

SOLAR & SMART ENERGY SYSTEM WORKSOP AT NIT-KARAIKAL

THINGS WE LEARN:

- Formation of PV cell.
- Formation of PV panel.
- Modelling a PV panel.
- Analysing a PV panel with and without load.
- Implementing mathematical and physical PV models in MATLAB Simulink.
- Analysing PV panel using different tools in MATLAB Simulink.
- Fabricating a Solar Mobile Charger module.



First we learn about formation and fabrication of PV(photo voltaic) cell and panel .And nit students practically show the solar cell and solar panel it was very interesting dto designing the solar panel and solar cell .The each participant modelling a PV panel using MATLAB simulink software and implementing mathematical and physical PV models in MATLAB simulink. Finally analysing PV panel using different tools in MATLAB simulink.

Next day we learn practical experiment mobile charger module using solar panel it was very interesting to mini project ideas. Finally we got certificate.

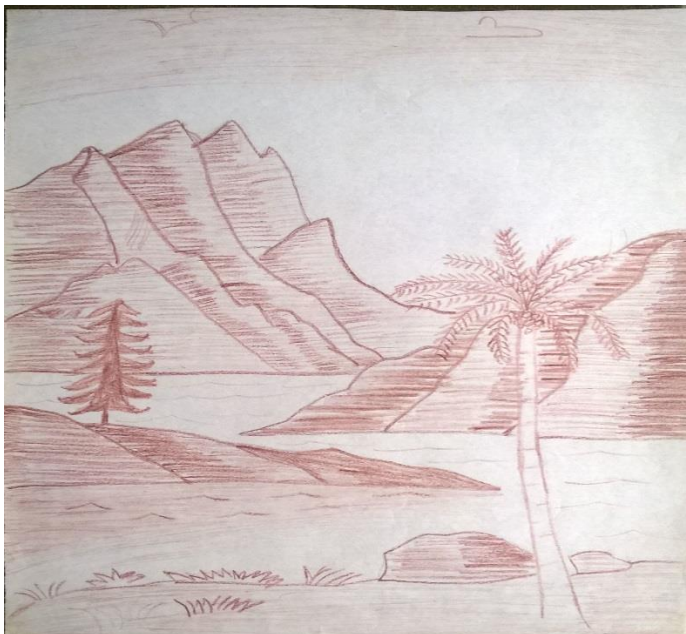
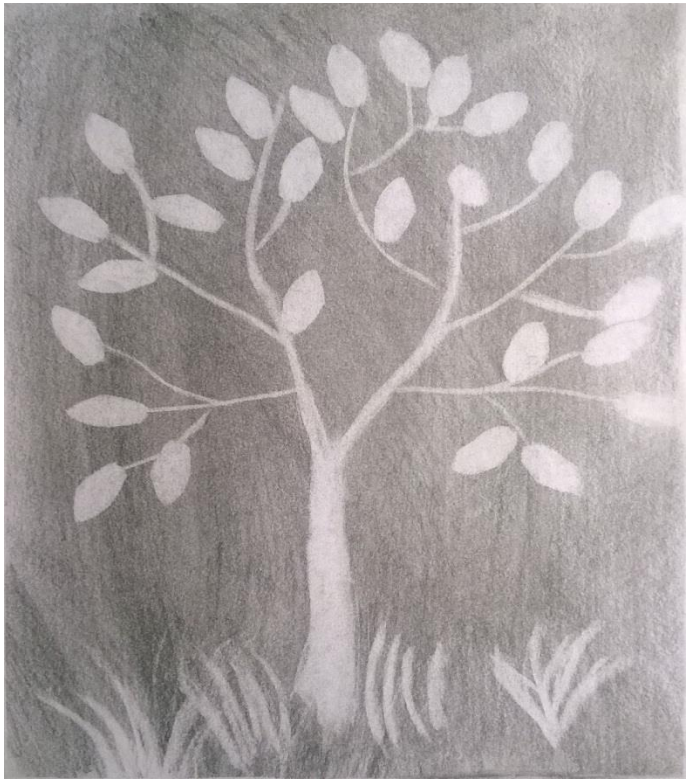
- Mr. K. Parameshwaran, Mr.J. Ramnath, Mr. D.Prakash,Mr. D.

Sathish Kumar, Mr.S. Velmurgan and Mr.G. Sakthidasan

- (IV EEE B)

OUT OF BOX THINKING...!

STUDENT ART....!



- ***Parakavan. P (III year B)***

உணர்வு

" 2018 லாடீ. நான் மறந்த அகண்டிப் நயாநீகப்பிட்ட கணினி.
இதுதான் குறைந்த அணைக்கு கடைத்தது அப்பிளி மேல் அலீனாம்
பணைகாரரின் வாய்க் முடியும் எனினும் அப்பிளி, அந்த பண்ட
கணினியை அடைபிப்பெட்டியன் கிடுக்து அடுத்துவந்தபடி. சிப்போது
அப்பாவுக்கு 40 வயது இருக்கும்.

அம்மா சமையலை முடிந்தவுடனும் சி.டி.யுடைய உடைந்து போனாகக்
கிடுக்தான். மானிடனரின் கைத்தது நானாகக் குடியும், மயுதஸ்பி பெய்திது
பொரிய்யும் பண்ணி கிடுக்தான். என்சு மதர்பொரிமுன் சில பாகங்களை
உறுதவம் வரலாம் என அடுத்துவந்தவுடனும்.

அந்நாள்களக்குப் மறகு சாபிடப்போகும் உணவு. கனிவையும் நொடியும்
சமையலின் உணாக வாசனையை முடிந்தபடி காதிக்குத்தான். அப்பா
கிடுக்துக்கு டீசன் வாசனையுடன் வாதிது உட்காரிந்தும் அமீமாயும்
கனிவையும் நொடியும் சேரித்து கொட்டினார். அகொர்ப் பசி. சிந்திழக் (Synthetic)
சுவை தண்ணீரைக் குடித்தப்படி அப்பா, அபரிய கிதரகொண்ட டி.வையை
அன் (on) பண்ணினார்.

டி.வையின் பாடம் செய்ப்பிட்ட மம்மிபென சரி உருவத்திக் காலிடி
ஏதொகொ சொன்னாரின். கனிவையும் முரியவகிண. அப்பாவைப் பாரிந்தான்.
அவன் கண்ணின் நிர் கிடுக்தது.

"அது என்னப்பா?" எனினும் கனிவ.

"சீன உருவங்களுக்கு முன்பு கிடுக்தப்போன கிடுக்தியாவுண் 'கடைசு அலுசாய'
எனினும் அப்பா!

விவசாயம் காப்போம்!



PHOTOS FOR REMEMBRANCE....!!!

INDUSTRIAL VISIT



MARCHPAST OVERALL WINNER



ONE DAY SEMINAR



INTERNATIONAL CONFERENCE (ICONNECT' 2K17)



GROUP PHOTO (UG-BATCH 2013 – 2017)



FROM BOTTOM 1ST ROW LEFT TO RIGHT: